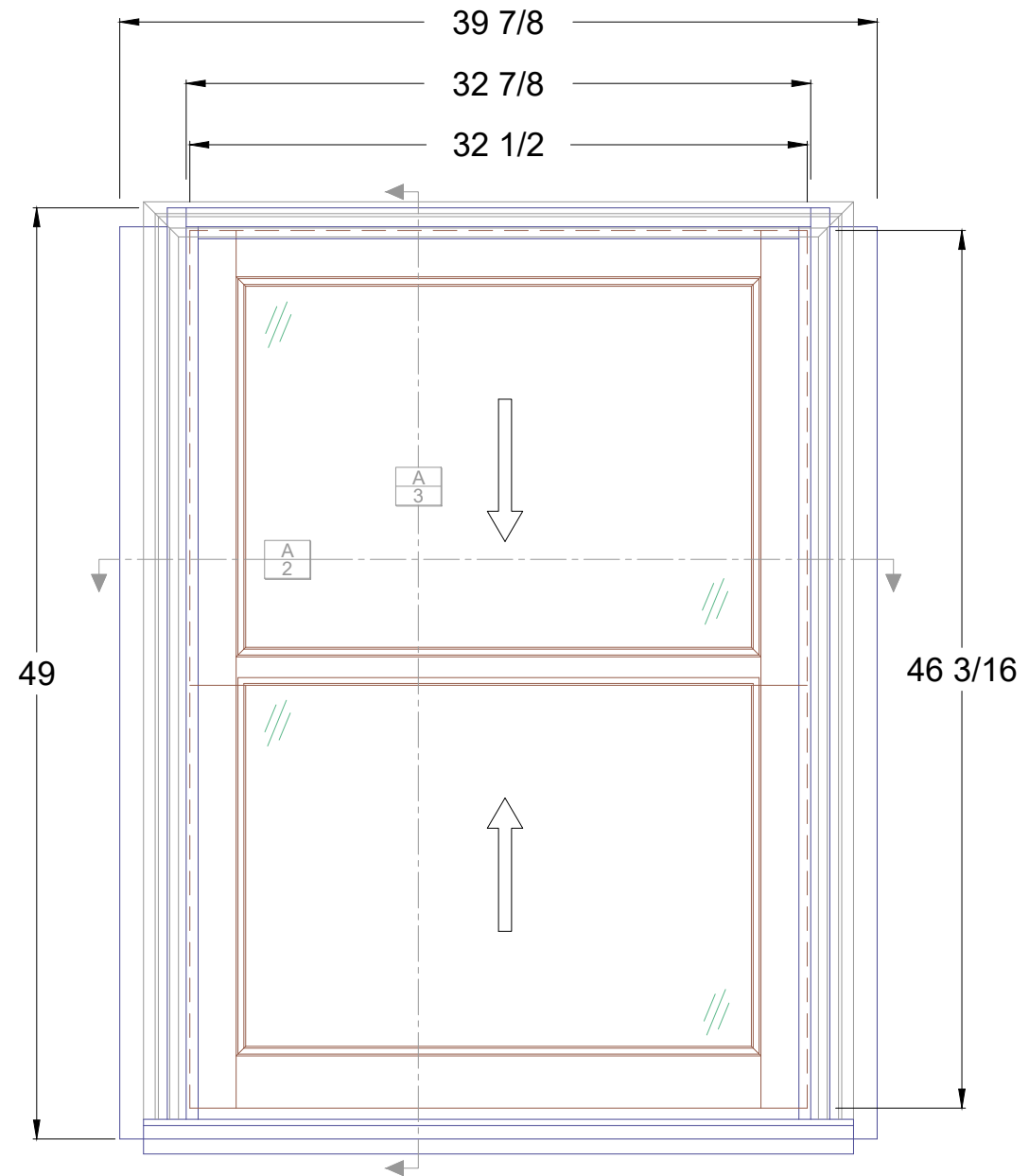
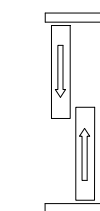


INTERIOR ELEVATION



Double Hung



A Elevation at unit
 Scale: 1:10
 As viewed from the exterior
 Make 32 units as drawn

Hardware:
 Solid brass pulley with rope.
 Verify finish.

Wood Species:
 Sash: Paint grade Sapele
 Frame: Paint grade Sapele

Glazing:
 1/8" Cardinal 272 Low-E, annealed over
 1/8" clear annealed, light bronze
 spacer. Argon gas filled.

Items shown in **BLUE** are supplied
 by manufacturer, items shown in
RED are supplied by others and
 shown for location purposes only

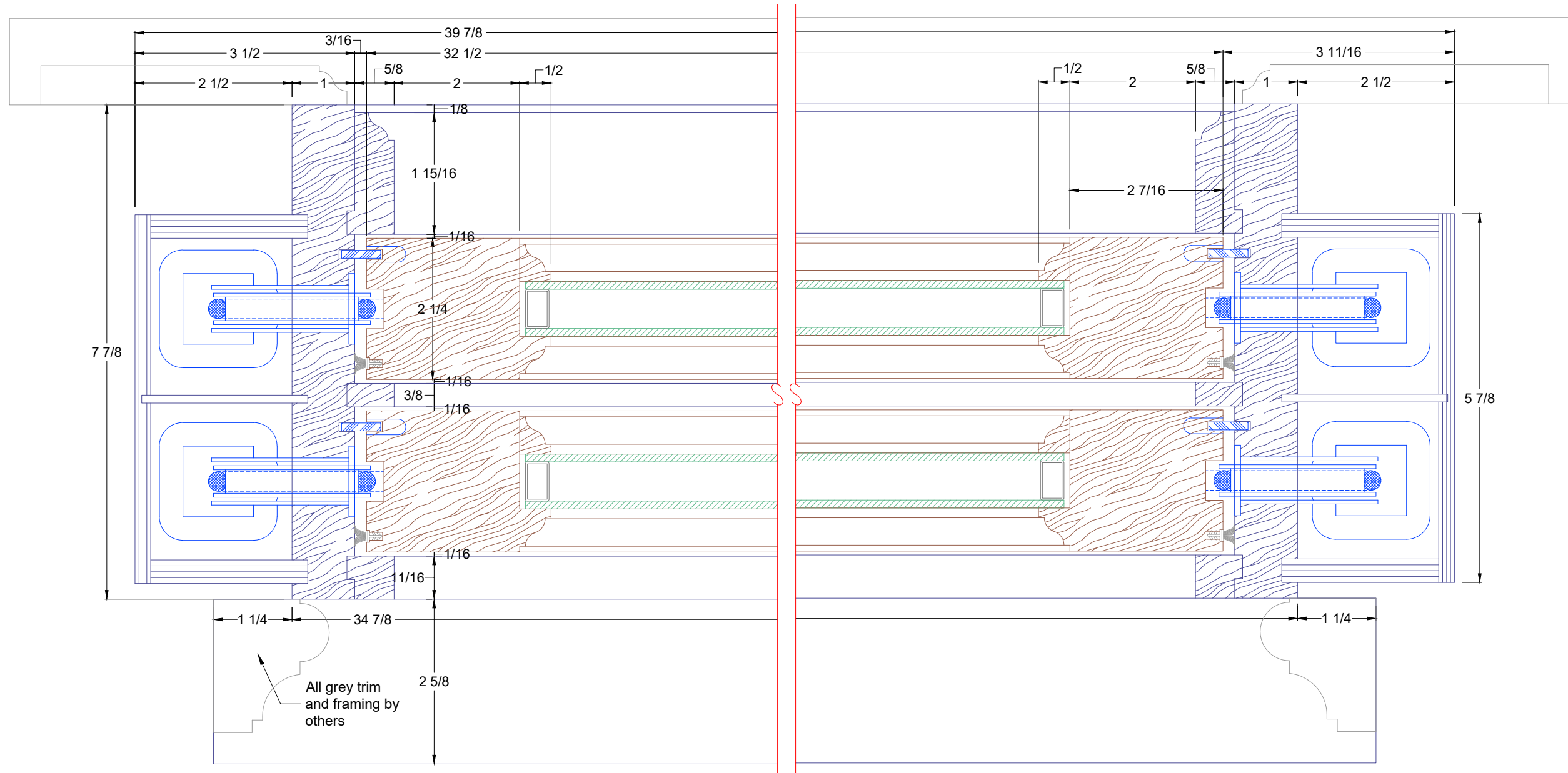
Contractor
 Architect
 Job Name
 Windows

Started: 5/23
 Drawn By:EH
 Project #:

0000

SHEET
1

Double Hung



A Detail at plan view
Scale: Half Scale

Hardware:
Solid brass pulley with rope.
Verify finish.

Wood Species:
Sash: Paint grade Sapele
Frame: Paint grade Sapele

Glazing:
1/8" Cardinal 272 Low-E, annealed over
1/8" clear annealed, light bronze
spacer. Argon gas filled

Items shown in **BLUE** are supplied
by manufacturer, items shown in
RED are supplied by others and
shown for location purposes only

Contractor
Architect
Job Name
Windows

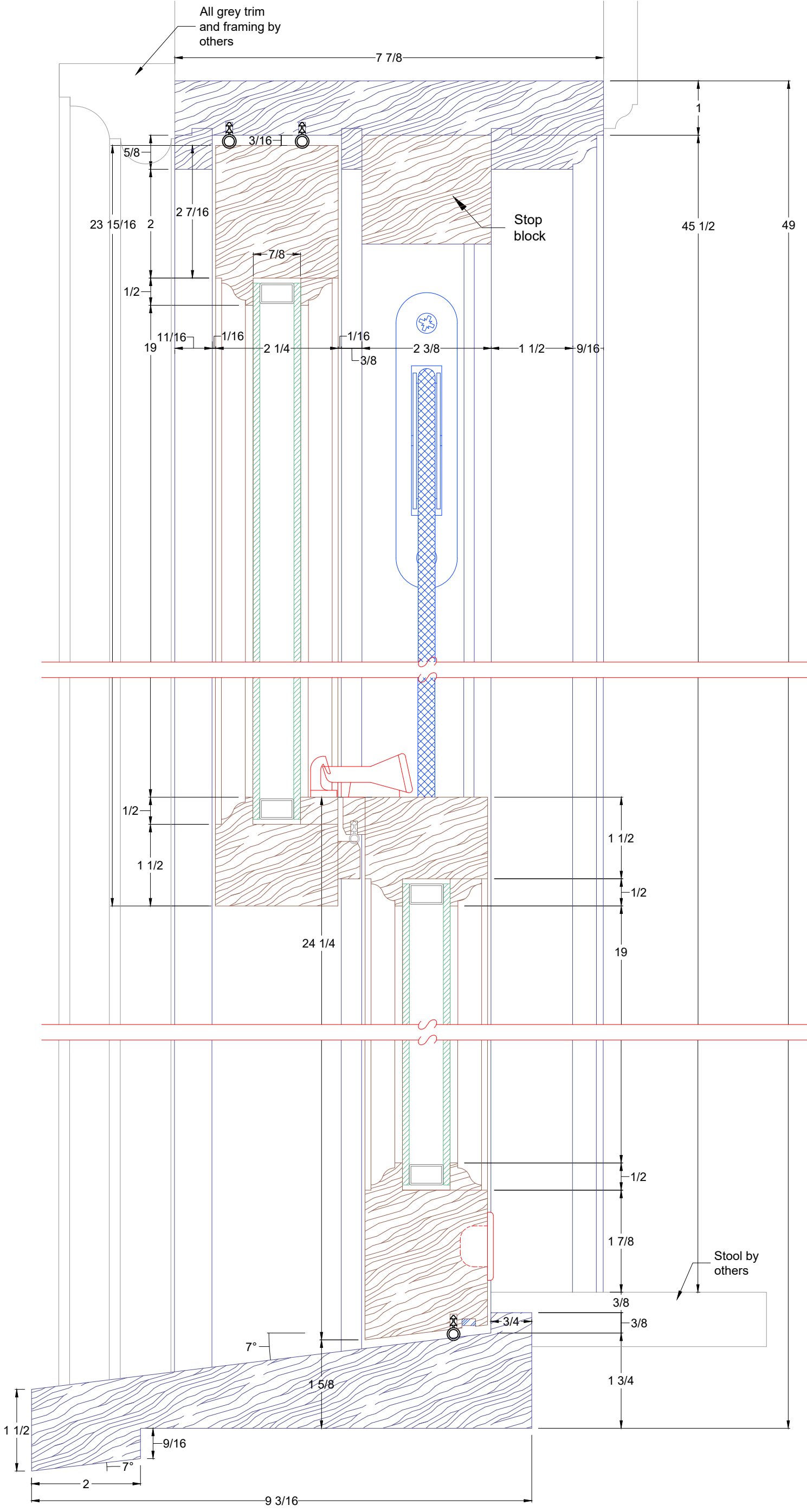
Started: 5/23
Drawn By:EH
Project #:

0000

SHEET

2

Double Hung



A Detail at head and sill
Scale: Half Scale

Hardware:
Solid brass pulley with rope.
Verify finish.

Wood Species:
Sash: Paint grade Sapele
Frame: Paint grade Sapele

Glazing:
1/8" Cardinal 272 Low-E, annealed over
1/8" clear annealed, light bronze
spacer. Argon gas filled

Items shown in **BLUE** are supplied
by manufacturer, items shown in
RED are supplied by others and
shown for location purposes only

Double Hung