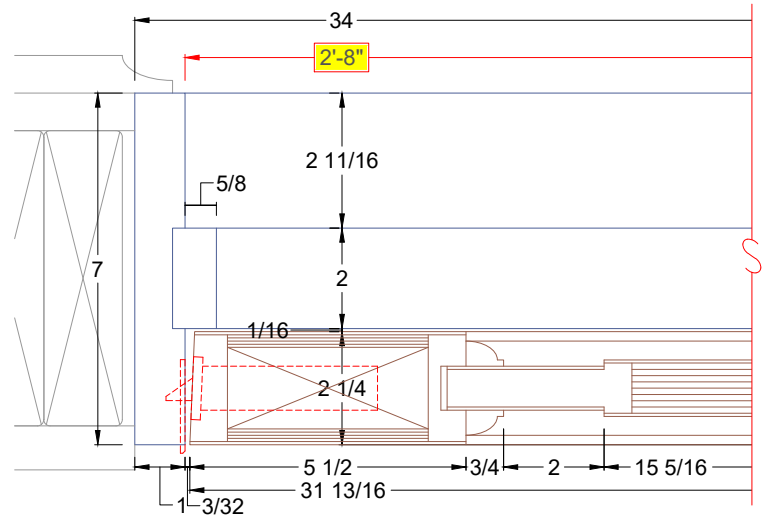
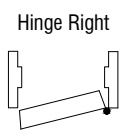
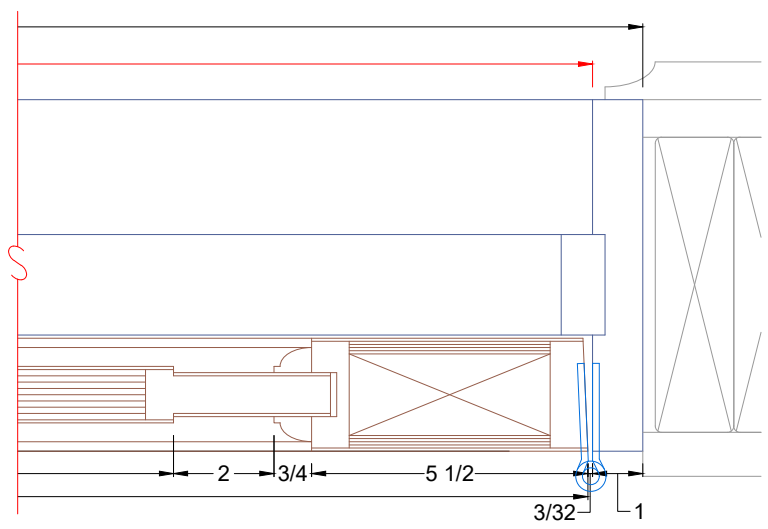


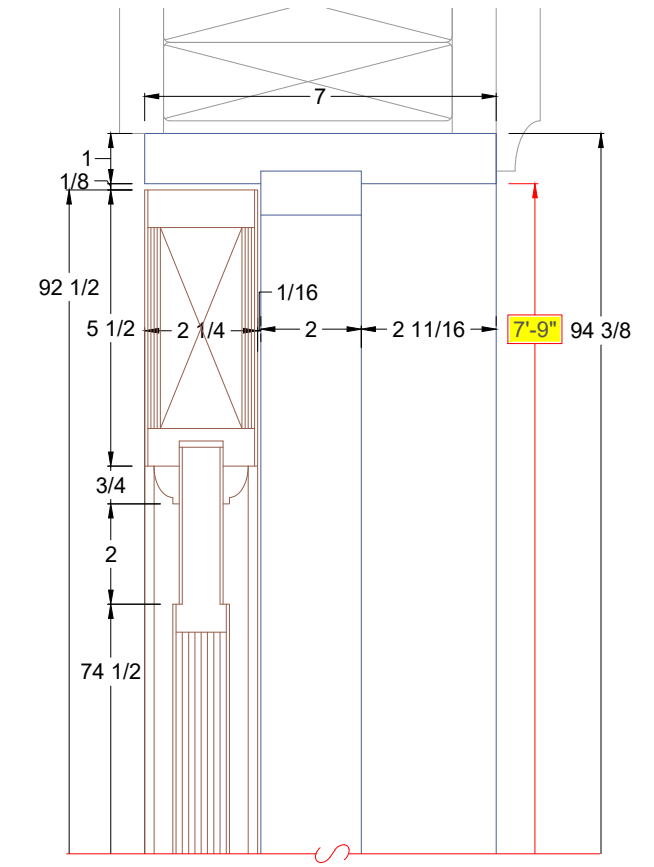
A Elevation at unit
 Scale: 3/4" = 1'
 Make 1 single as drawn



B Detail at plan view
 Scale: 3" = 1'



C Detail at plan view
 Scale: 3" = 1'



D Detail at head and sill
 Scale: 3" = 1'

Hinge Type:
 Stanley F179 4 1/2" x 4 1/2,
 US10B finish, 4 ea.

Wood Species:
 Door: Stain grade rift White Oak
 Frame: Stain grade rift White Oak

Items shown in **BLUE** are supplied
 by manufacturer, items shown in
RED are supplied by others and
 shown for location purposes only

Interior Swing Door

Contractor
 Architect
 Job Name
 Exterior Doors

Started: 3/23
 Drawn By:EH
 Project #:

0000

SHEET
1