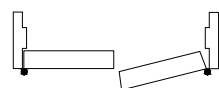
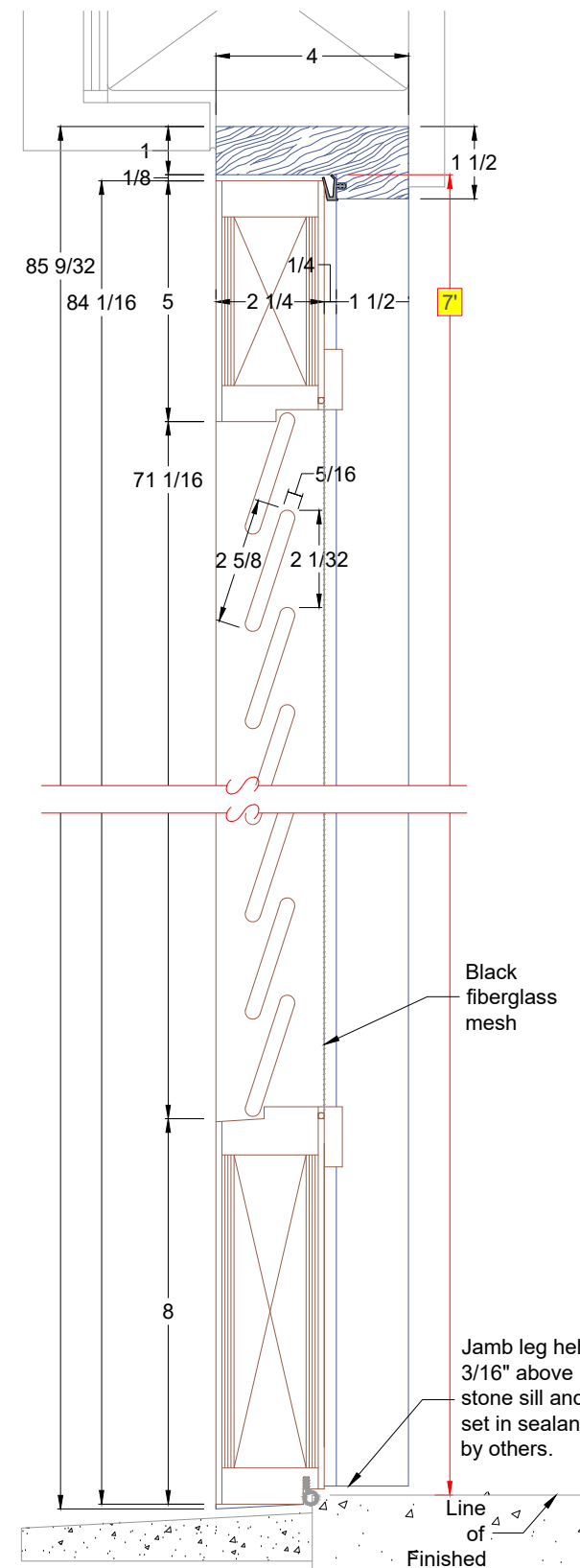


Outswing  
Hinge Right Active



**A** Elevation at unit  
Scale: 3/4" = 1'  
Make 1 single as drawn



**B** Detail at head and sill  
Scale: 3" = 1'

**Hinge Type:**  
Stanley F191 4 1/2" x 4 1/2",  
US10B finish, 3 ea.

**Wood Species:**  
Door: Stain grade rift white oak  
Frame: Stain grade rift white oak

Items shown in **BLUE** are supplied  
by manufacturer, items shown in  
**RED** are supplied by others and  
shown for location purposes only

Contractor  
Architect  
Job Name  
Exterior Doors

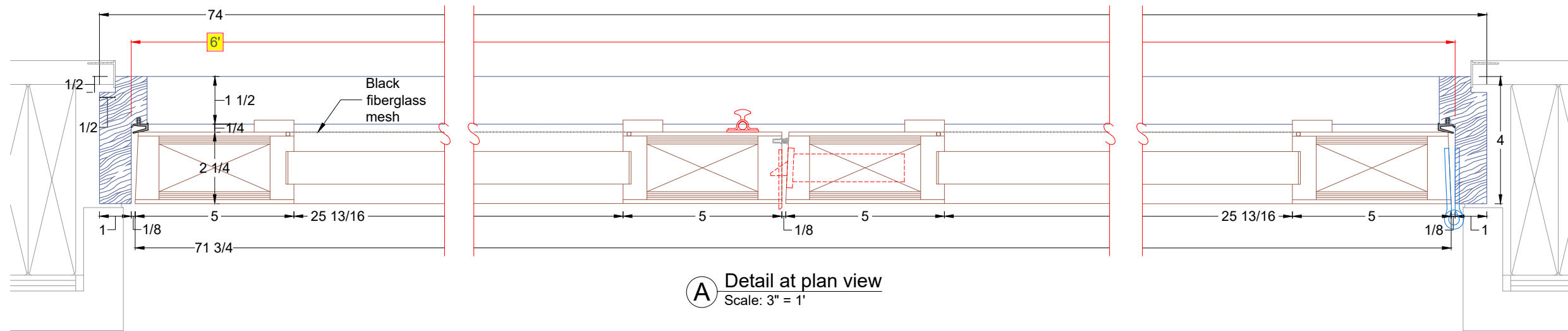
Started: 3/23  
Drawn By:EH  
Project #:

0000

SHEET

01

Louvered Pair



**(A) Detail at plan view**  
Scale: 3" = 1'

**Hinge Type:**  
Stanley F191 4 1/2" x 4 1/2,  
US10B finish, 3 ea.

**Wood Species:**  
Door: Stain grade rift white oak  
Frame: Stain grade rift white oak

Items shown in **BLUE** are supplied  
by manufacturer, items shown in  
**RED** are supplied by others and  
shown for location purposes only

Contractor  
Architect  
Job Name  
Exterior Doors

Started: 3/23  
Drawn By:EH  
Project #:

**0000**

SHEET  
**02**

**Louvered Pair**