

A Floor at plan view
 Scale: 1/2" = 1'

Client
 Bellingham, WA
 Tiny House

- 1 2/13/24
- 2 2/18/24

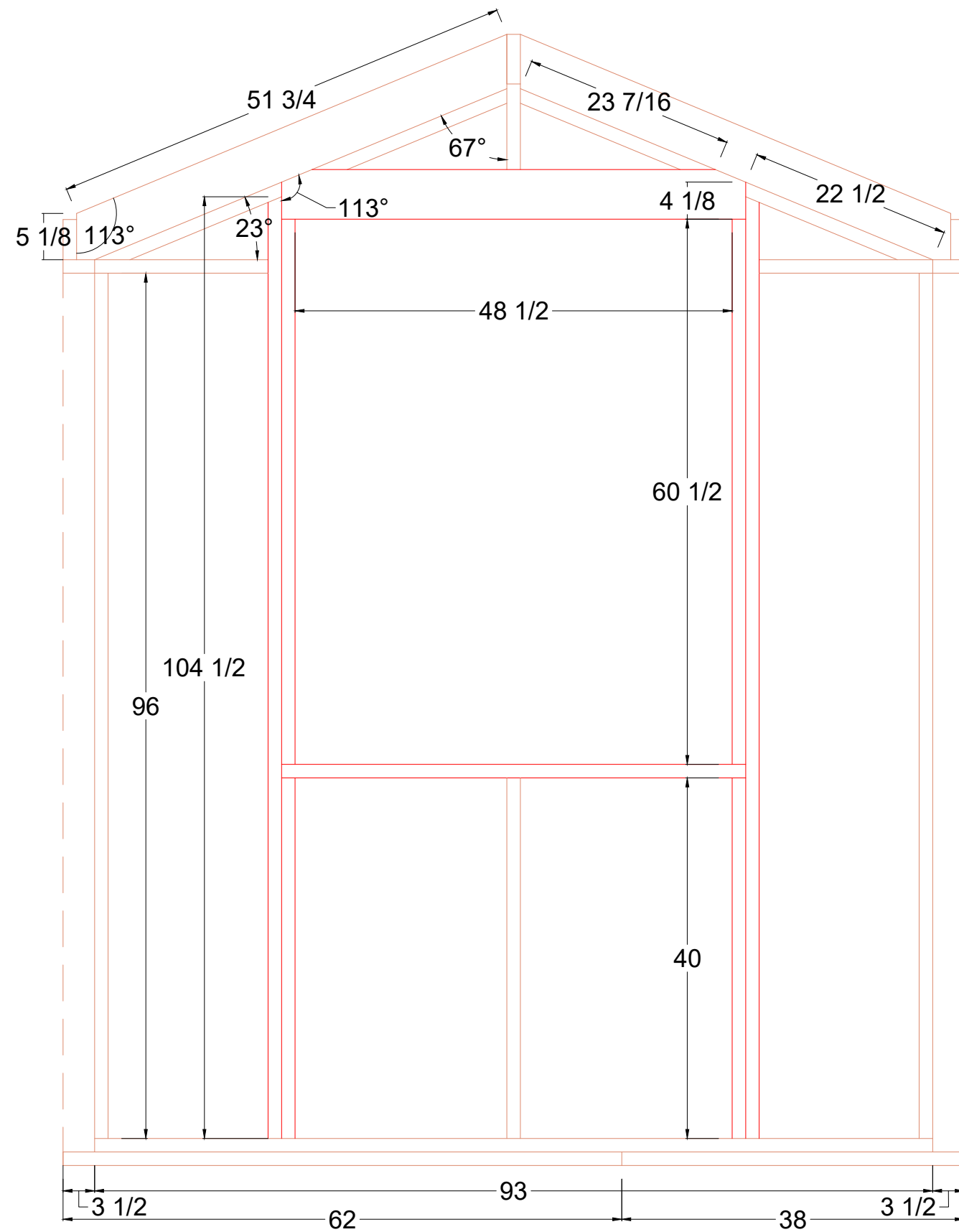
Started: 12/23
 Drawn By: EH
 Project #:

0001

SHEET

1

Floor Plan



As seen from exterior

A North Elevation
Scale: 3/4" = 1'

Client
Bellingham, WA
Tiny House

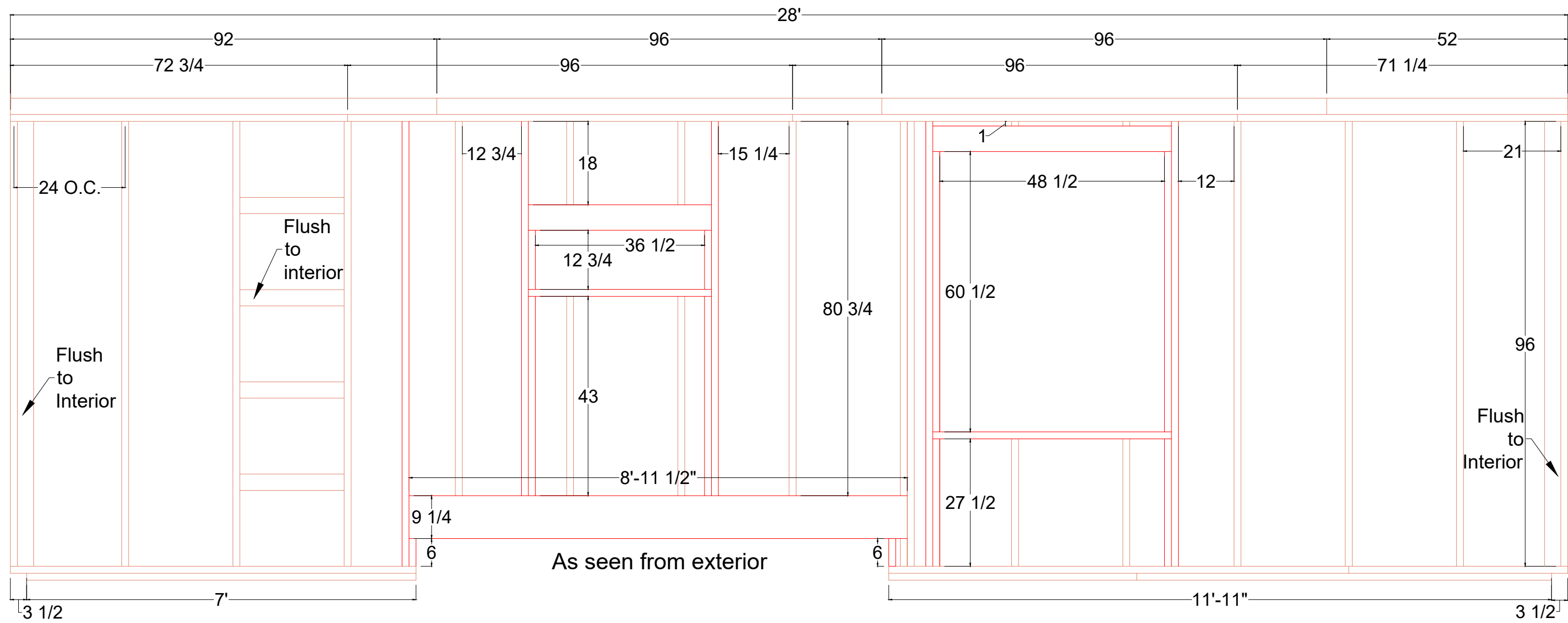
- 1 2/13/24
- 2 2/18/24

Started: 12/23
Drawn By:EH

Project #:
0001

SHEET
2

North Elevation



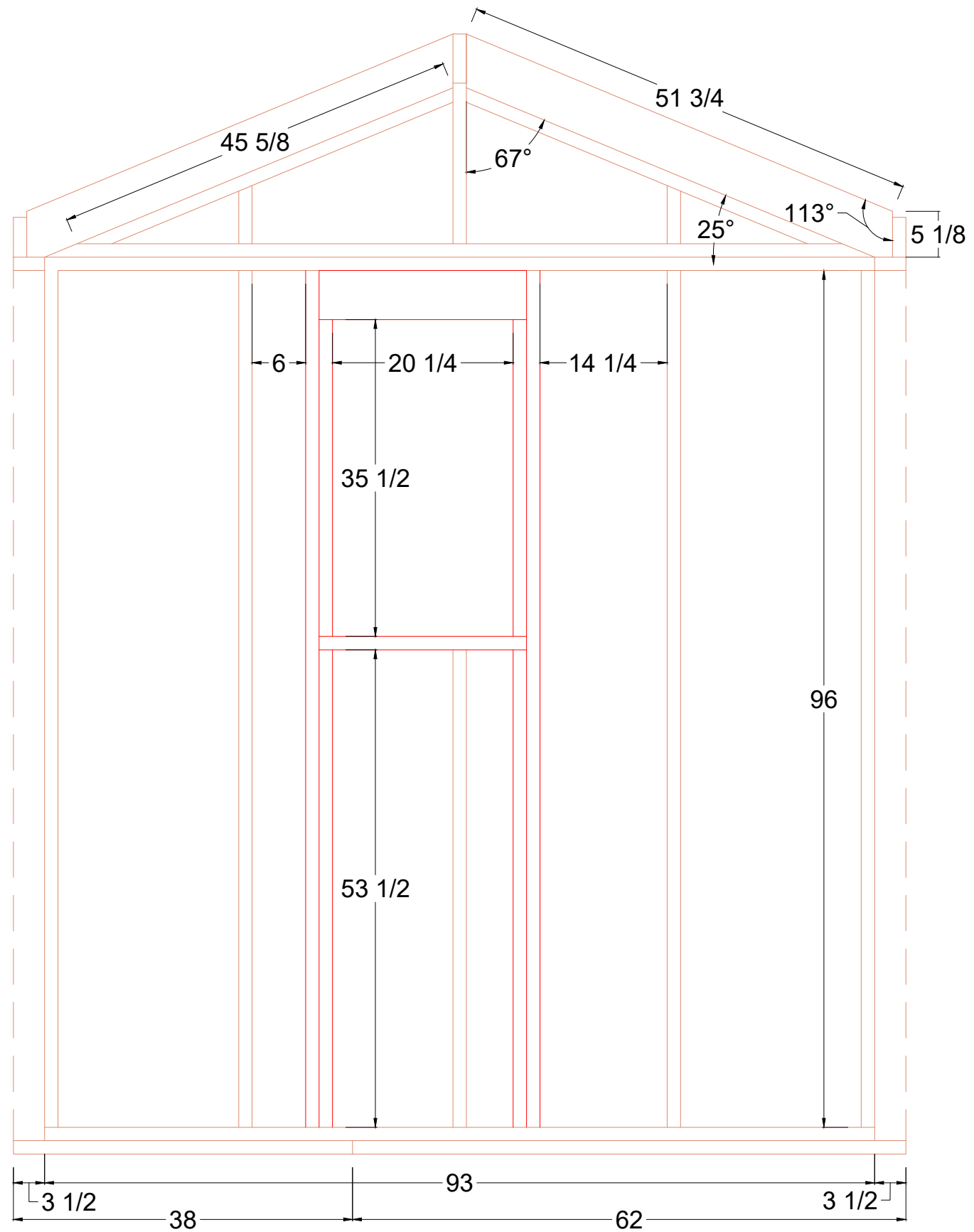
A East Elevation
Scale: 1/2" = 1'

Client
Bellingham, WA
Tiny House

- 1 2/13/24
- 2 2/18/24

Started: 12/23
Drawn By: EH
Project #:

0001



As seen from exterior

A South Elevation
Scale: 3/4" = 1'

Client
Bellingham, WA
Tiny House

1 2/13/24

2 2/18/24

Started: 12/23

Drawn By:EH

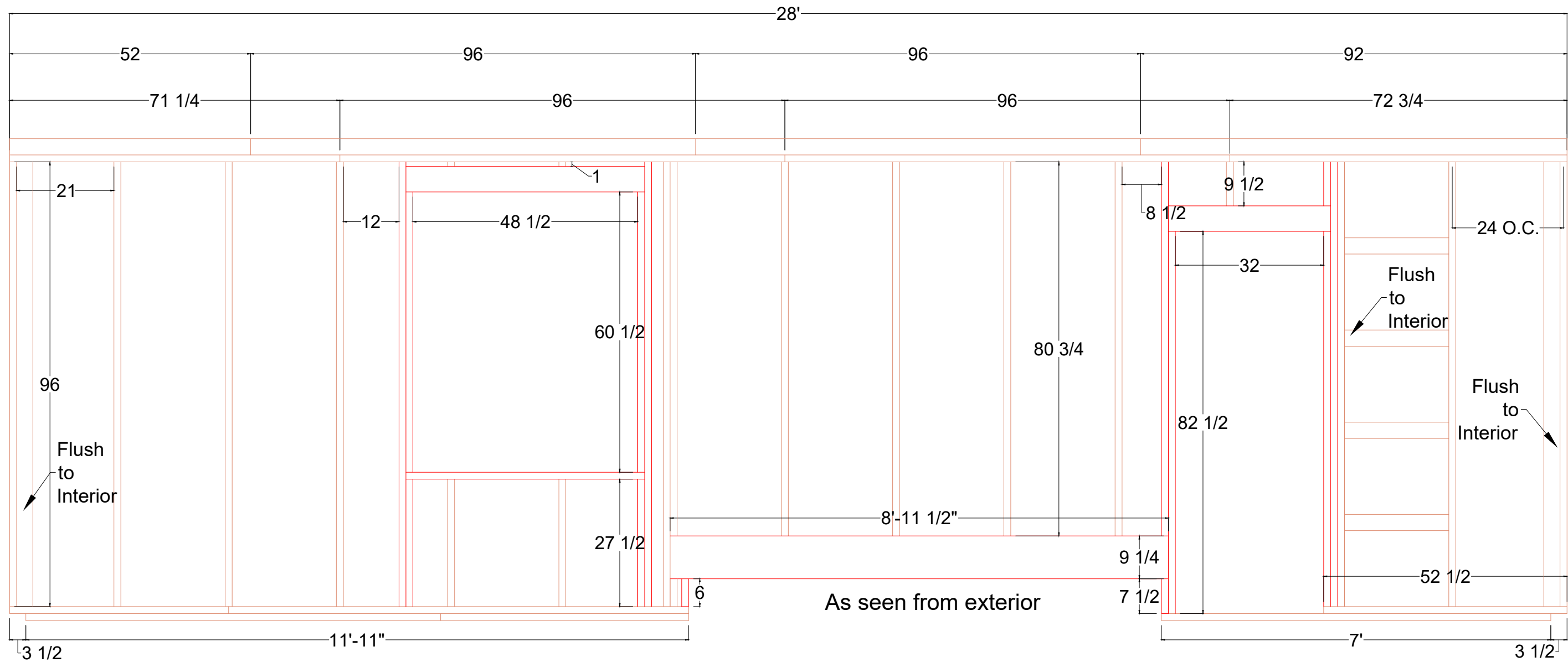
Project #:

0001

SHEET

4

South Elevation



A West Elevation
Scale: 1/2" = 1'

Client
Bellingham, WA
Tiny House

1 2/13/24

2 2/18/24

Started: 12/23

Drawn By:EH

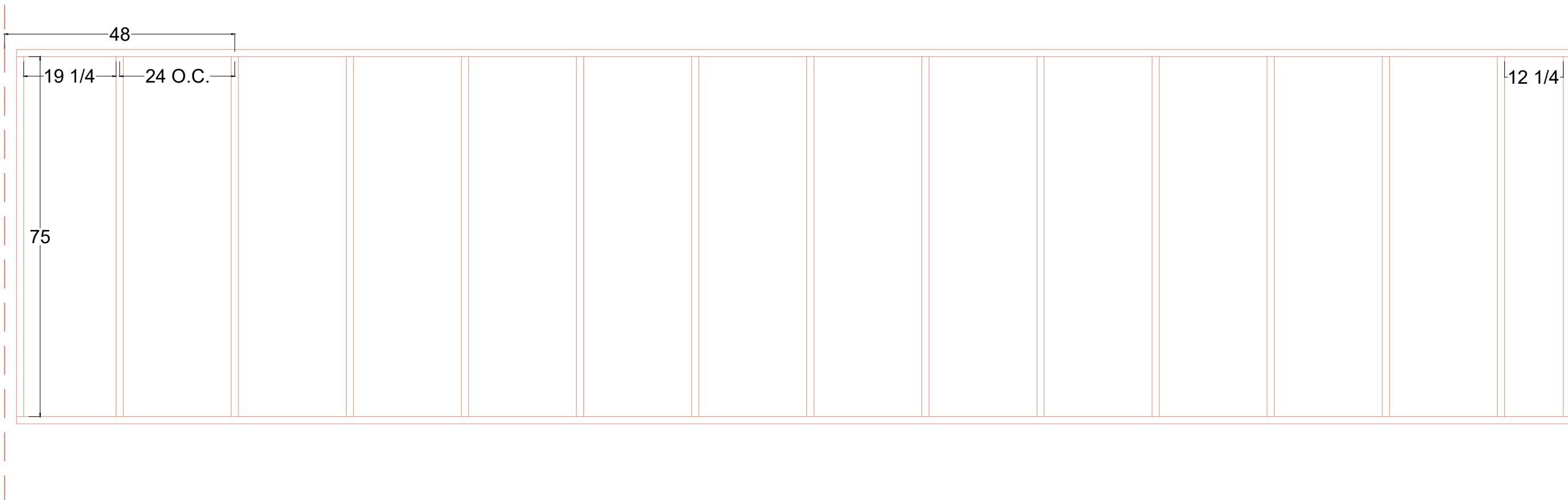
Project #:

0001

SHEET

5

West Elevation



A Floor at plan view
Scale: 1/2" = 1'

Client
Bellingham, WA
Tiny House

- 1 2/13/24
- 2 2/18/24

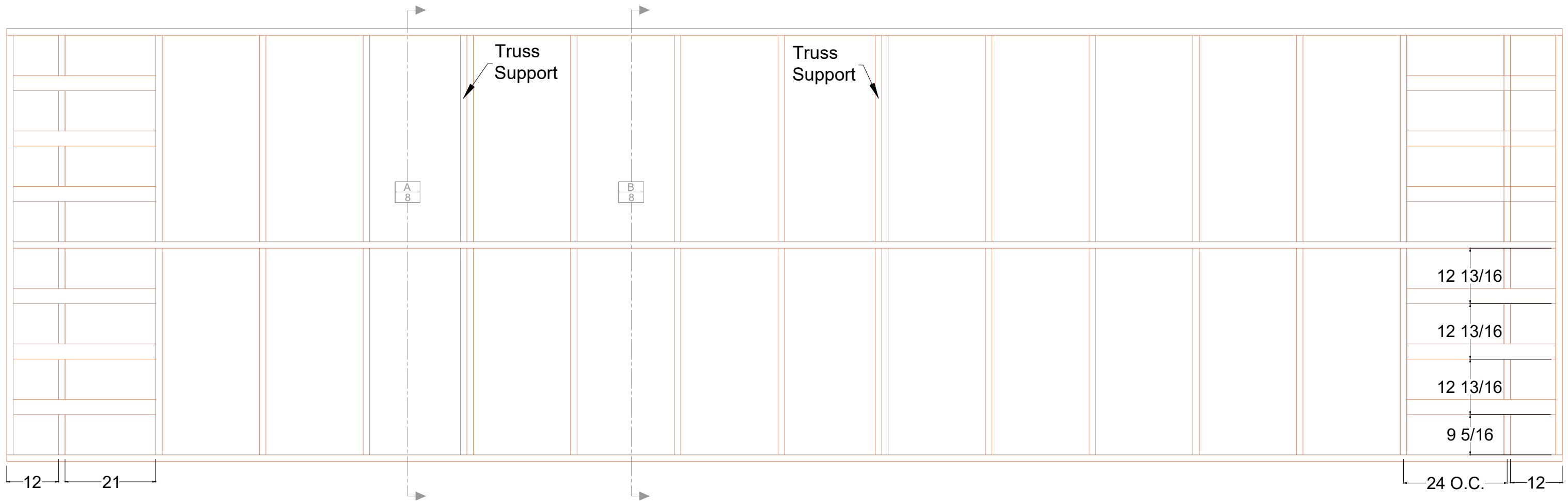
Started: 12/23
Drawn By:EH
Project #:

0001

SHEET

Floor Framing

6



A Roof at plan view
Scale: 1/2" = 1'

Client
Bellingham, WA
Tiny House

- 1** 2/13/24
- 2** 2/18/24

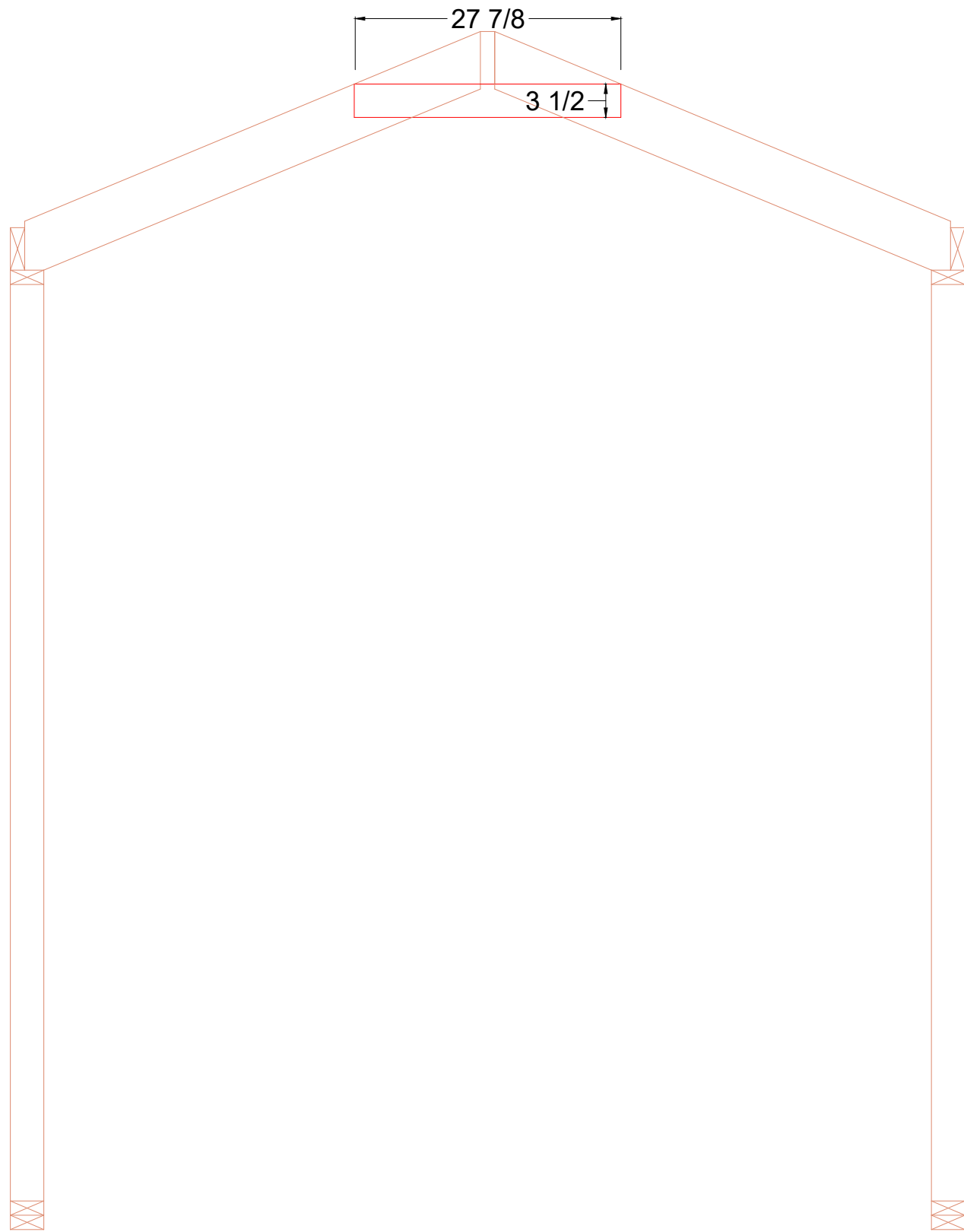
Started: 12/23
Drawn By:EH
Project #:

0001

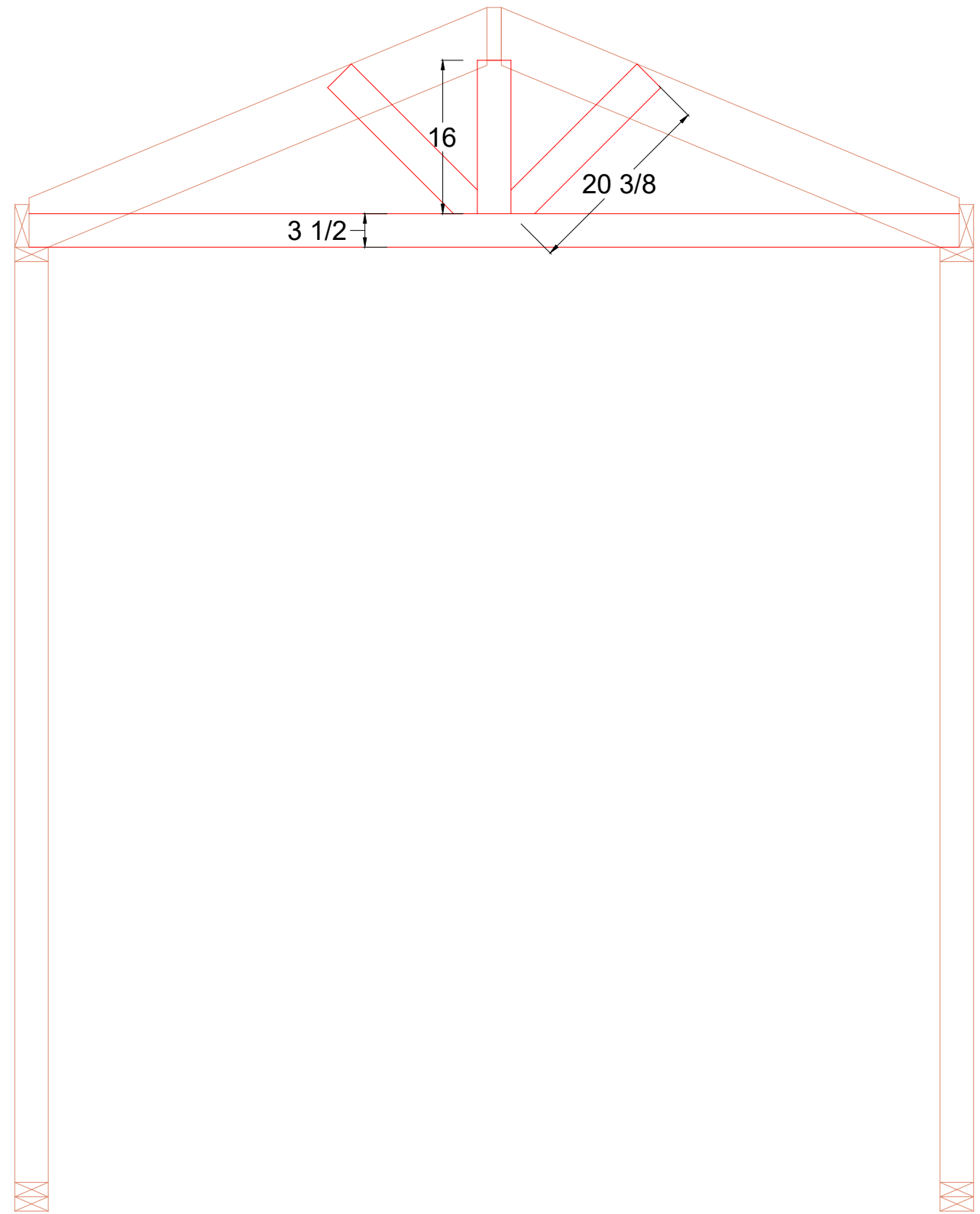
SHEET

Roof

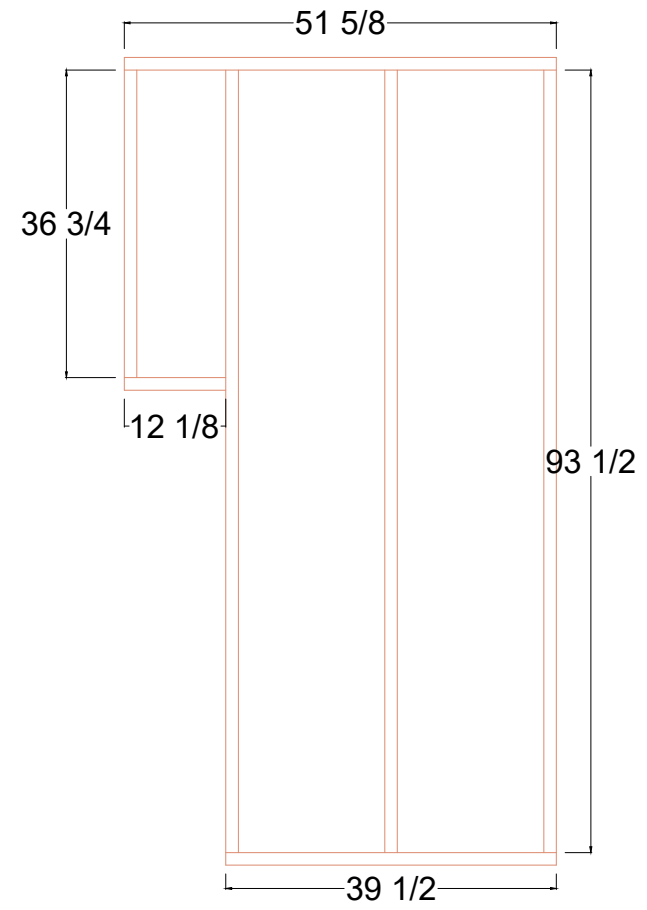
7



A Collar Ties
Scale: 3/4" = 1'



B Rafter Ties
Scale: 3/4" = 1'



A Loft at plan view
Scale: 1/2" = 1'

Client
Bellingham, WA
Tiny House

- 1** 2/13/24
- 2** 2/18/24

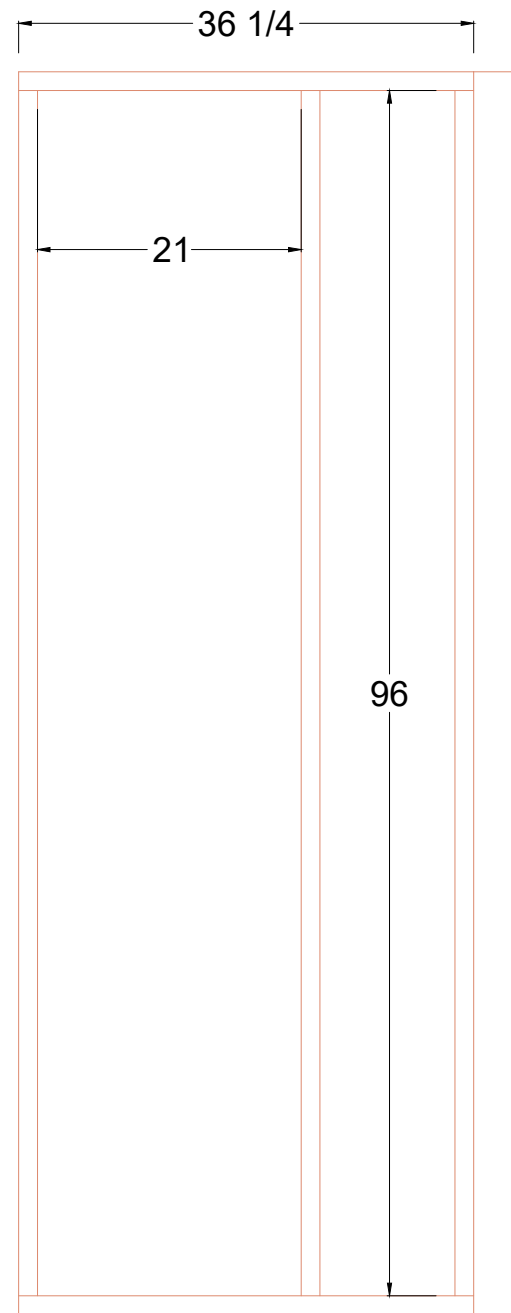
Started: 12/23
Drawn By:EH
Project #:

0001

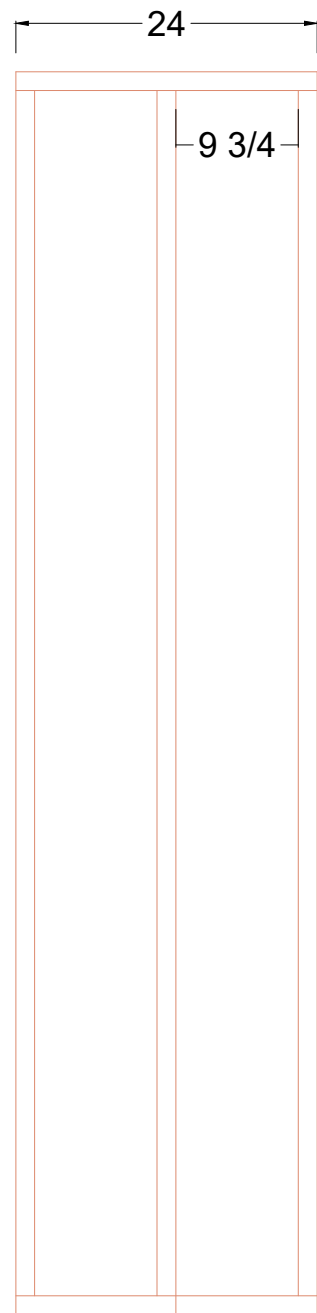
SHEET

Loft

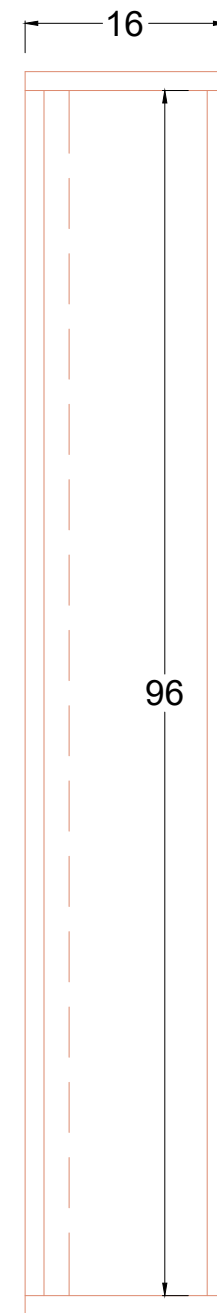
9



A North Elevation
Scale: 3/4" = 1'



B West Elevation
Scale: 3/4" = 1'



Client
Bellingham, WA
Tiny House

- 1 2/13/24
- 2 2/18/24

Started: 12/23
Drawn By:EH
Project #:

0001

SHEET