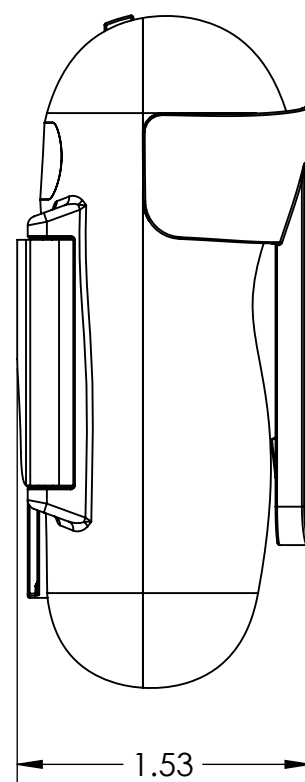
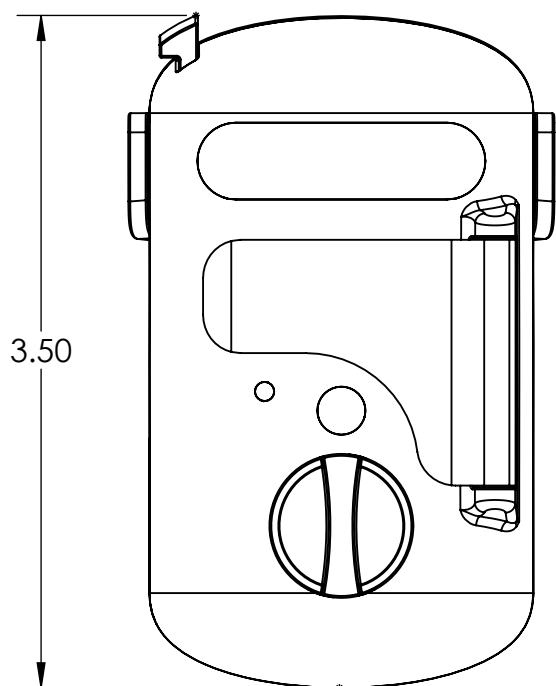
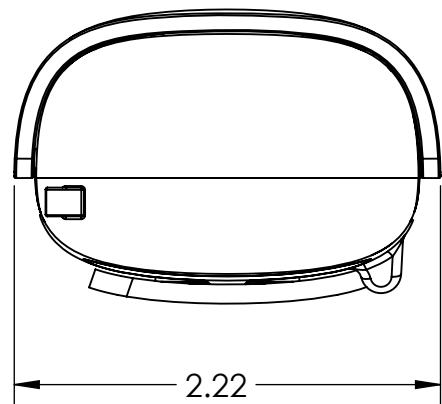
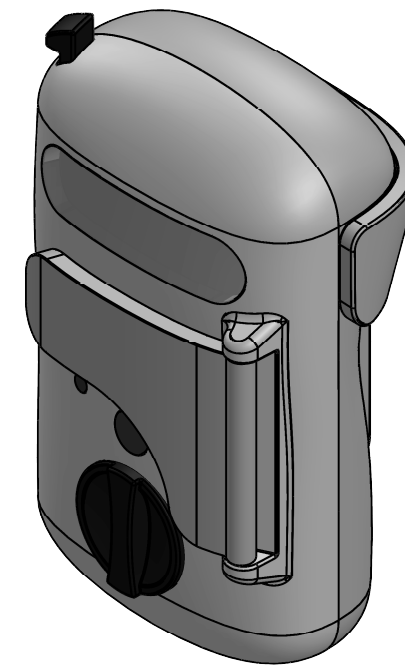


4

3

2

1



UNLESS OTHERWISE SPECIFIED:		NAME	DATE	PORTLAND COMMUNITY COLLEGE			
DIMENSIONS ARE IN INCHES		DRAWN	E HEWETT	7/28/22	TITLE: <b>PLB ASSEMBLY</b>		
TOLERANCES:		CHECKED					
FRACTIONAL: ± 1/32		ENG APPR.					
ANGULAR: ± 2°		MFG APPR.					
TWO PLACE DECIMAL ± .01		Q.A.			SIZE	DWG. NO.	REV
THREE PLACE DECIMAL ± .005		COMMENTS:			<b>B</b>	<b>A-1001</b>	
INTERPRET GEOMETRIC TOLERANCING PER:					SCALE: 1:1	WEIGHT:	SHEET 1 OF 9
MATERIAL							
FINISH							
DO NOT SCALE DRAWING							

PROPRIETARY AND CONFIDENTIAL  
 THE INFORMATION CONTAINED IN THIS DRAWING IS THE SOLE PROPERTY OF PCC. ANY REPRODUCTION IN PART OR AS A WHOLE WITHOUT THE WRITTEN PERMISSION OF PCC IS PROHIBITED.

Material <not specified>

B

B

A

A

4

3

2

1

4

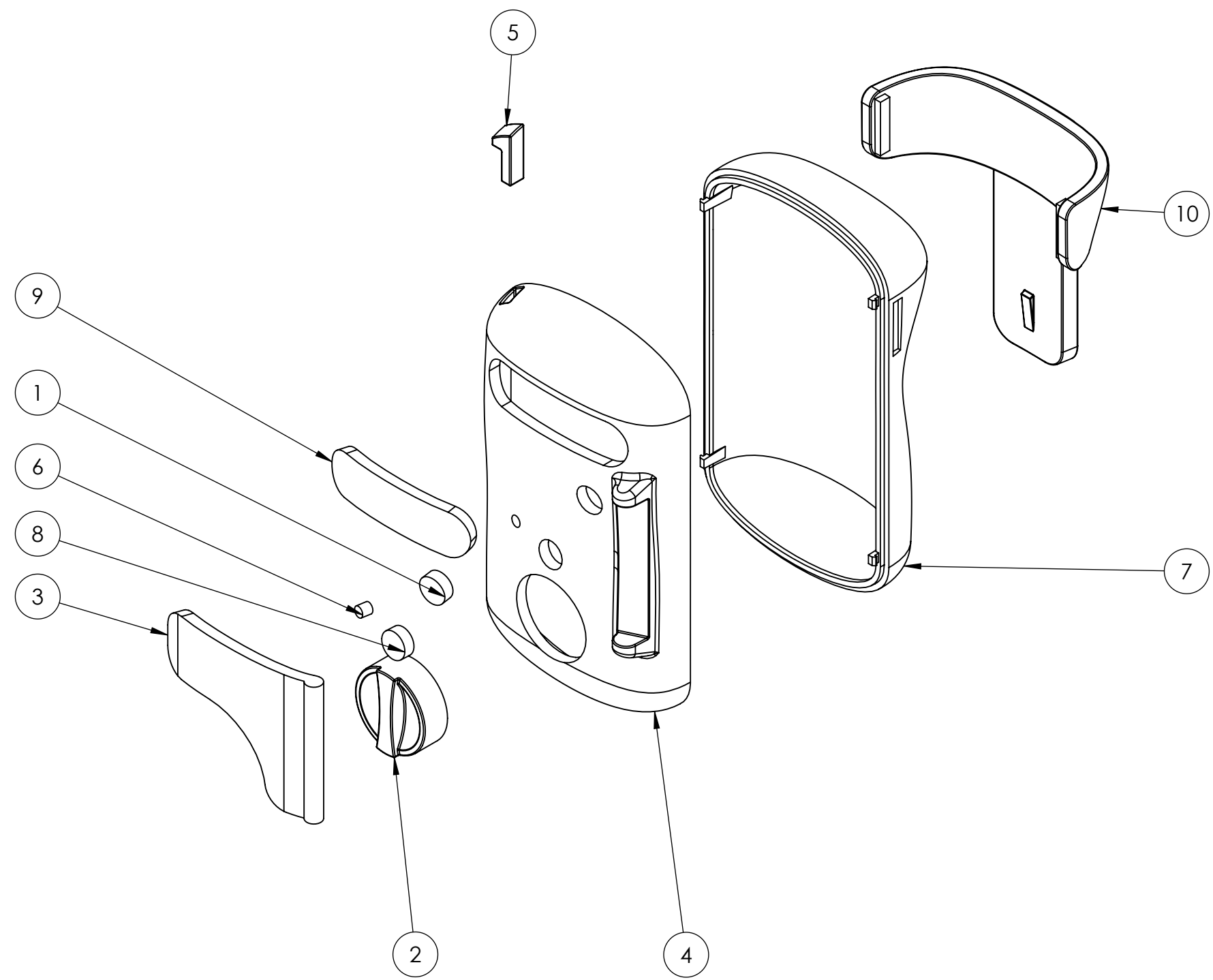
3

2

1

B

B



ITEM NO.	PART NUMBER	QTY.
1	PLB-POWER B	1
2	PLB-CRANK	1
3	PLB-COVER	1
4	PLB-FRONT	1
5	PLB-ANTENNA	1
6	PLB-SIGNAL LIGHT	1
7	PLB-BACK	1
8	PLB-TEST B	1
9	PLB-LIGHT SCREEN	1
10	PLB-CLIP	1

UNLESS OTHERWISE SPECIFIED:		NAME	DATE
DIMENSIONS ARE IN INCHES		DRAWN	E HEWETT 7/28/22
TOLERANCES:		CHECKED	
FRACTIONAL: ± 1/32		ENG APPR.	
ANGULAR: ± 2°		MFG APPR.	
TWO PLACE DECIMAL ± .01		Q.A.	
THREE PLACE DECIMAL ± .005		COMMENTS:	
MATERIAL			
FINISH			
DO NOT SCALE DRAWING			

PROPRIETARY AND CONFIDENTIAL  
 THE INFORMATION CONTAINED IN THIS DRAWING IS THE SOLE PROPERTY OF PCC. ANY REPRODUCTION IN PART OR AS A WHOLE WITHOUT THE WRITTEN PERMISSION OF PCC IS PROHIBITED.

PORTLAND COMMUNITY COLLEGE		
TITLE: <b>PLB EXPLODED VIEW</b>		
SIZE <b>B</b>	DWG. NO. <b>A-1001</b>	REV
SCALE: 1:1	WEIGHT:	SHEET 2 OF 9

A

A

4

3

2

1

4

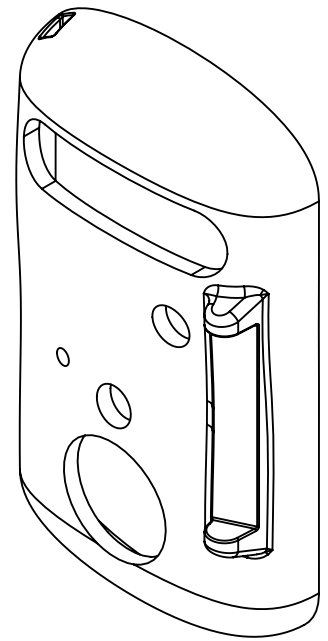
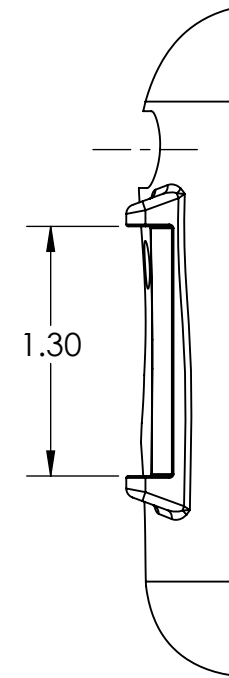
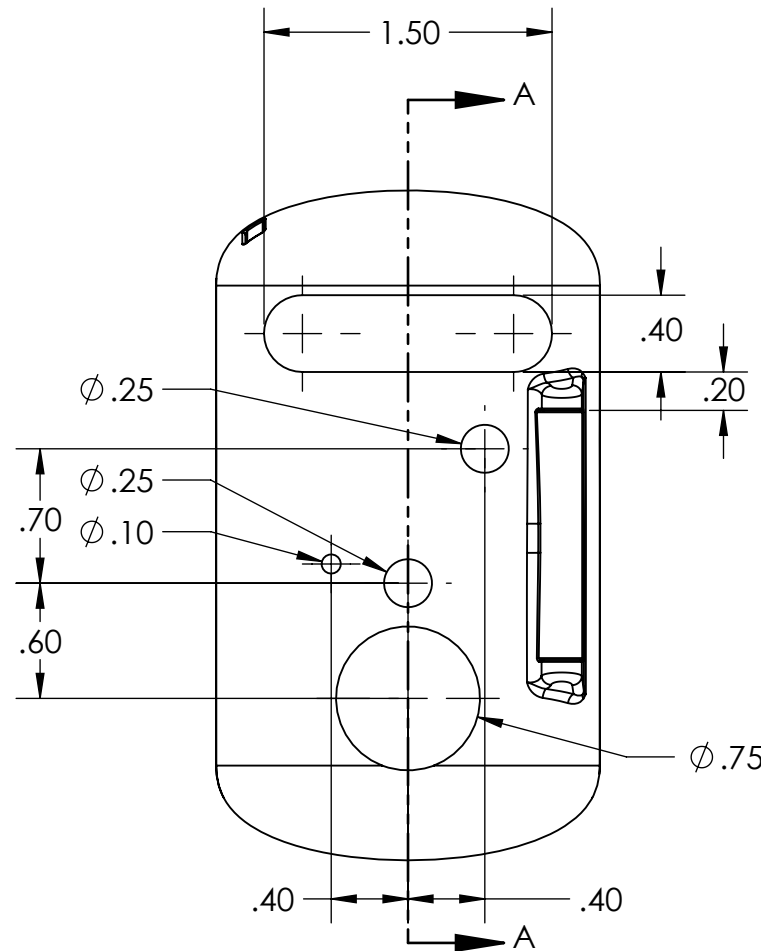
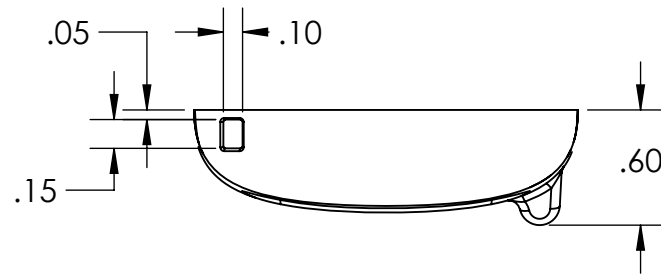
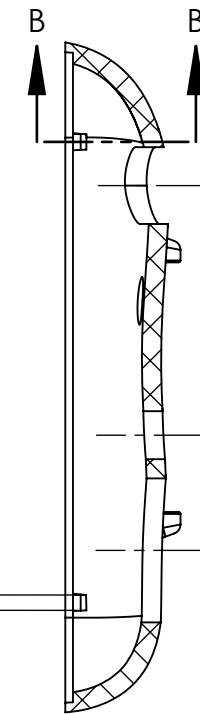
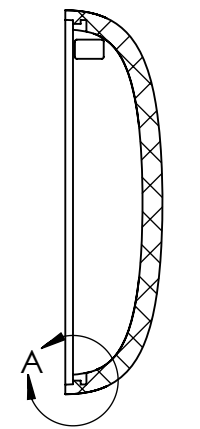
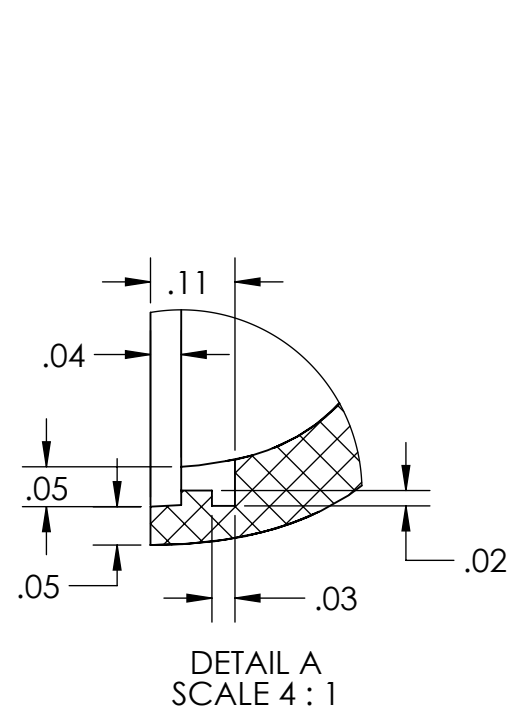
3

2

1

B

B



A

NOTES:

- FOR ALL OTHER DIMENSIONS SEE DATASET PLB-FRONT.STP
- WALL THICKNESS .1" UNLESS NOTED

UNLESS OTHERWISE SPECIFIED:		NAME	DATE	PORTLAND COMMUNITY COLLEGE			
DIMENSIONS ARE IN INCHES		DRAWN	E HEWETT	7/28/22	TITLE: <b>PLB-FRONT</b>		
TOLERANCES:		CHECKED					
FRACTIONAL: ± 1/32		ENG APPR.					
ANGULAR: ± 2°		MFG APPR.					
TWO PLACE DECIMAL ± .01		Q.A.			SIZE	DWG. NO.	REV
THREE PLACE DECIMAL ± .005		COMMENTS:			<b>B</b>	<b>A-1001</b>	
MATERIAL					SCALE: 1:1	WEIGHT:	SHEET 3 OF 9
FINISH							
DO NOT SCALE DRAWING							

PROPRIETARY AND CONFIDENTIAL  
THE INFORMATION CONTAINED IN THIS DRAWING IS THE SOLE PROPERTY OF PCC. ANY REPRODUCTION IN PART OR AS A WHOLE WITHOUT THE WRITTEN PERMISSION OF PCC IS PROHIBITED.

4

3

2

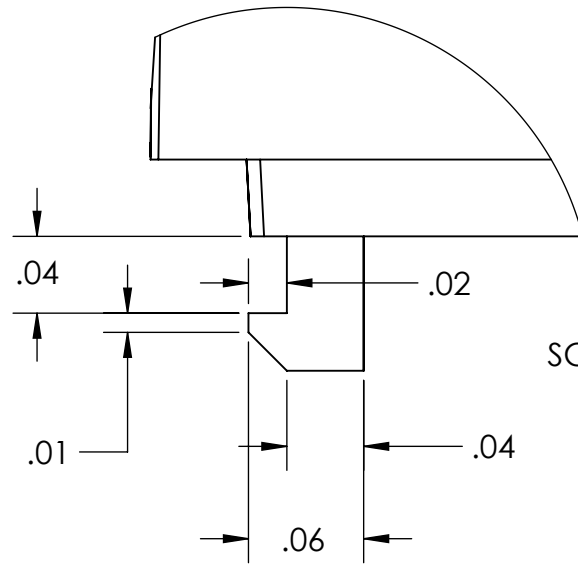
1

4

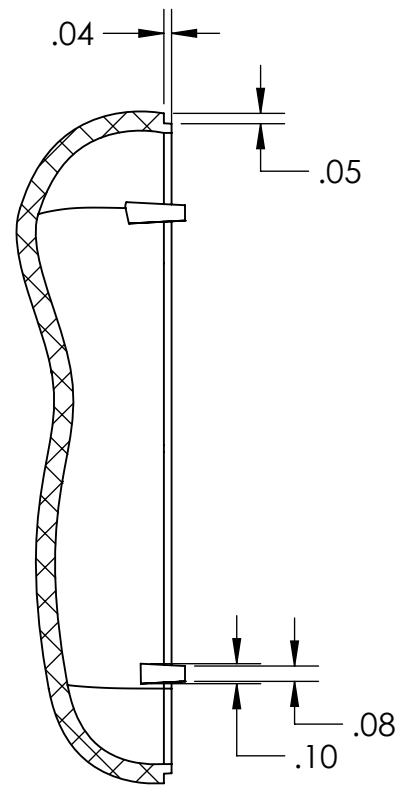
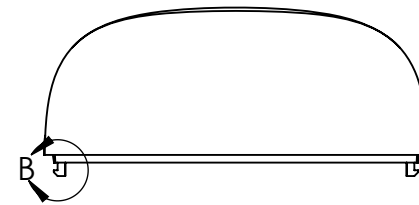
3

2

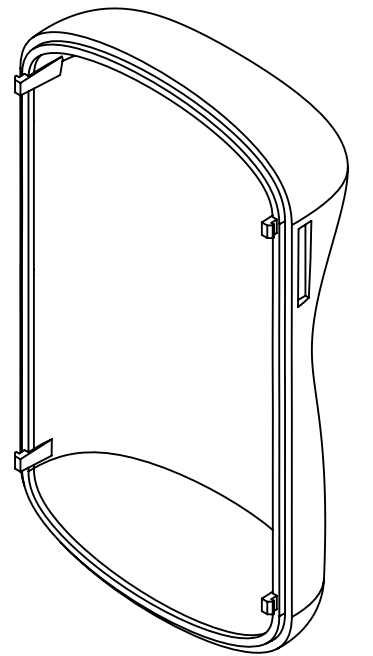
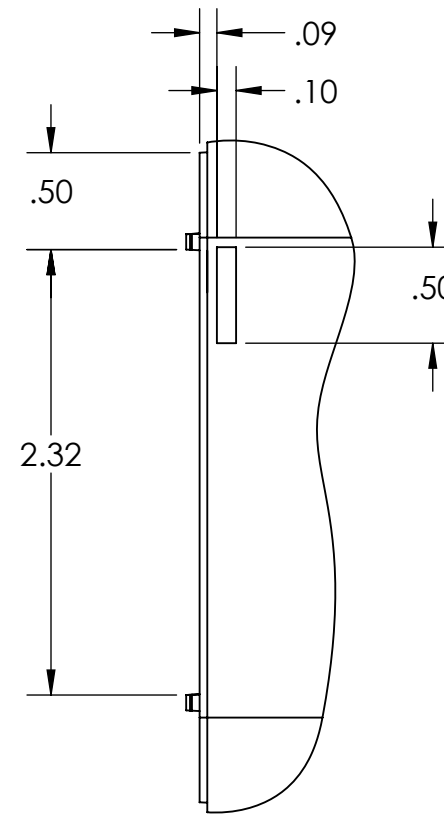
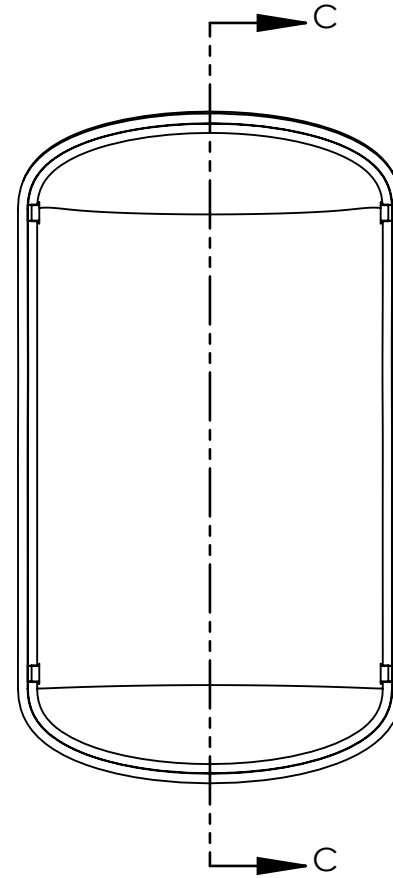
1



DETAIL B  
SCALE 10:1



SECTION C-C



NOTES:

- FOR ALL OTHER DIMENSIONS SEE DATASET PLB-BACK.STP
- WALL THICKNESS .1" UNLESS NOTED

PROPRIETARY AND CONFIDENTIAL

THE INFORMATION CONTAINED IN THIS DRAWING IS THE SOLE PROPERTY OF PCC. ANY REPRODUCTION IN PART OR AS A WHOLE WITHOUT THE WRITTEN PERMISSION OF PCC IS PROHIBITED.

UNLESS OTHERWISE SPECIFIED:

DIMENSIONS ARE IN INCHES  
 TOLERANCES:  
 FRACTIONAL  $\pm 1/32$   
 ANGULAR:  $\pm 2^\circ$   
 TWO PLACE DECIMAL  $\pm .01$   
 THREE PLACE DECIMAL  $\pm .005$

INTERPRET GEOMETRIC TOLERANCING PER: ASME Y14.5  
 MATERIAL  
**ABS**  
 FINISH  
**YELLOW SOFT TOUCH**  
 DO NOT SCALE DRAWING

	NAME	DATE
DRAWN	E HEWETT	7/28/22
CHECKED		
ENG APPR.		
MFG APPR.		
Q.A.		

COMMENTS:

PORTLAND COMMUNITY COLLEGE		
TITLE: <b>PLB-BACK</b>		
SIZE <b>B</b>	DWG. NO. <b>A-1001</b>	REV
SCALE: 1:1	WEIGHT:	SHEET 4 OF 9

4

3

2

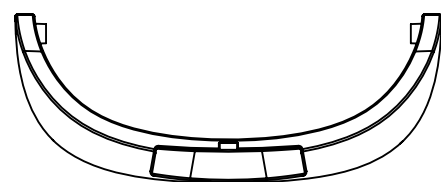
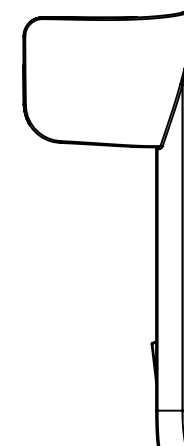
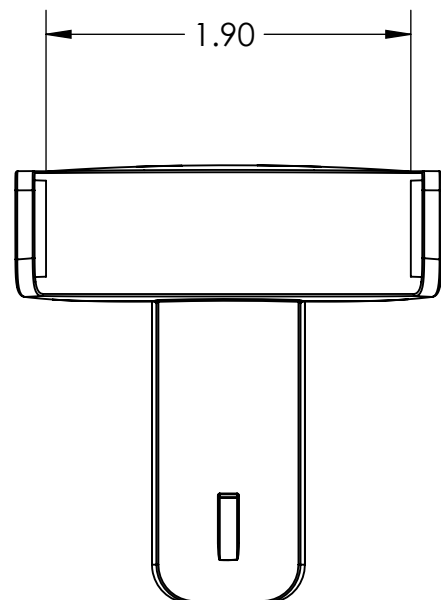
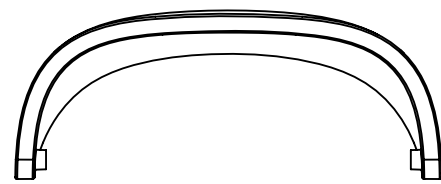
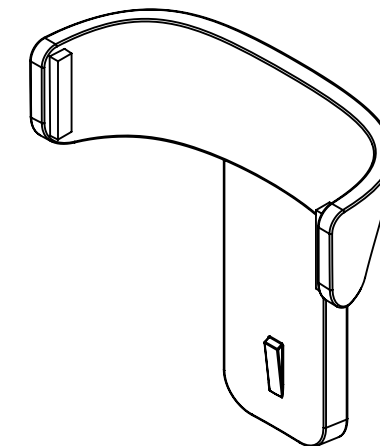
1

4

3

2

1



B

B

A

A

NOTES:

- FOR ALL OTHER DIMENSIONS SEE DATASET PLB-CLIP.STP
- WALL THICKNESS .1" UNLESS NOTED

UNLESS OTHERWISE SPECIFIED:		NAME	DATE	PORTLAND COMMUNITY COLLEGE	
DIMENSIONS ARE IN INCHES		DRAWN	E HEWETT	7/28/22	TITLE: <b>PLB-CLIP</b>
TOLERANCES:		CHECKED			
FRACTIONAL: ± 1/32		ENG APPR.			
ANGULAR: ± 2°		MFG APPR.			
TWO PLACE DECIMAL ± .01		Q.A.			SIZE DWG. NO. REV <b>B A-1001</b>
THREE PLACE DECIMAL ± .005		COMMENTS:			
MATERIAL		ABS		SCALE: 1:1 WEIGHT: SHEET 5 OF 9	
FINISH		YELLOW SOFT TOUCH			
DO NOT SCALE DRAWING					

PROPRIETARY AND CONFIDENTIAL  
 THE INFORMATION CONTAINED IN THIS DRAWING IS THE SOLE PROPERTY OF PCC. ANY REPRODUCTION IN PART OR AS A WHOLE WITHOUT THE WRITTEN PERMISSION OF PCC IS PROHIBITED.

4

3

2

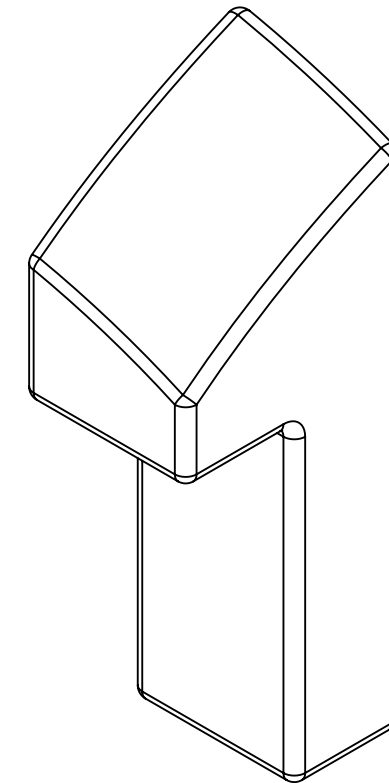
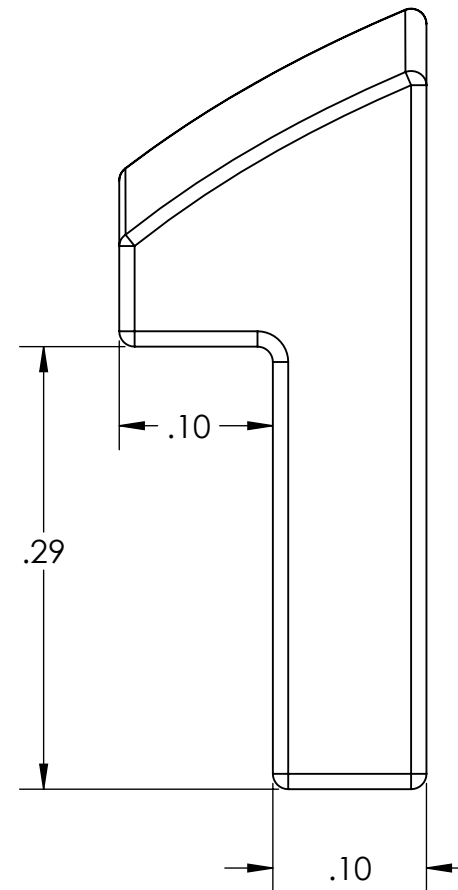
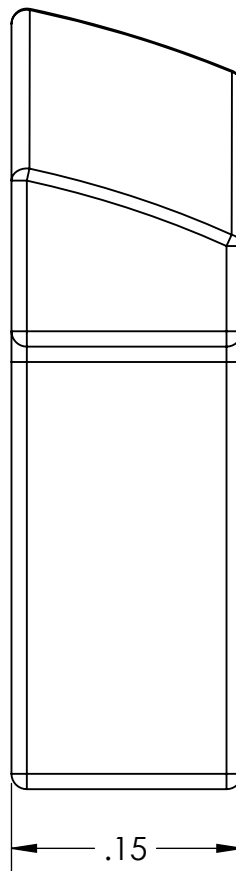
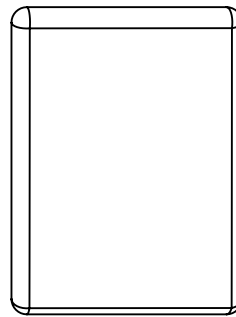
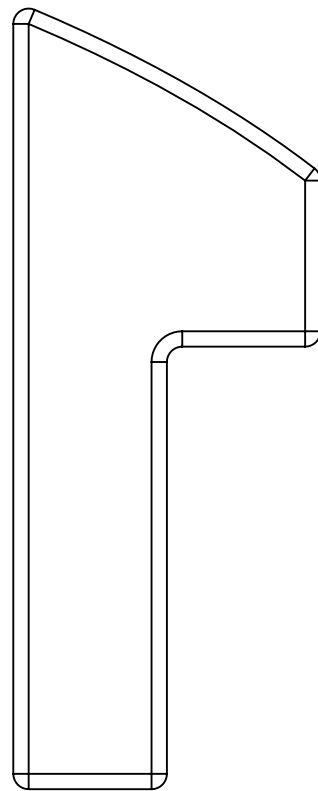
1

4

3

2

1



B

B

A

A

NOTES:

- FOR ALL OTHER DIMENSIONS SEE DATASET PLB-ANTENNA.STP

UNLESS OTHERWISE SPECIFIED:		NAME	DATE	PORTLAND COMMUNITY COLLEGE			
DIMENSIONS ARE IN INCHES		DRAWN	E HEWETT	7/28/22	TITLE: <b>PLB-ANTENNA</b>		
TOLERANCES:		CHECKED					
FRACTIONAL: ± 1/32		ENG APPR.					
ANGULAR: ± 2°		MFG APPR.					
TWO PLACE DECIMAL ± .01		Q.A.			SIZE	DWG. NO.	REV
THREE PLACE DECIMAL ± .005		COMMENTS:			<b>B</b>	<b>A-1001</b>	
MATERIAL				SCALE: 8:1		WEIGHT:	SHEET 6 OF 9
FINISH							
DO NOT SCALE DRAWING							

PROPRIETARY AND CONFIDENTIAL  
 THE INFORMATION CONTAINED IN THIS DRAWING IS THE SOLE PROPERTY OF PCC. ANY REPRODUCTION IN PART OR AS A WHOLE WITHOUT THE WRITTEN PERMISSION OF PCC IS PROHIBITED.

4

3

2

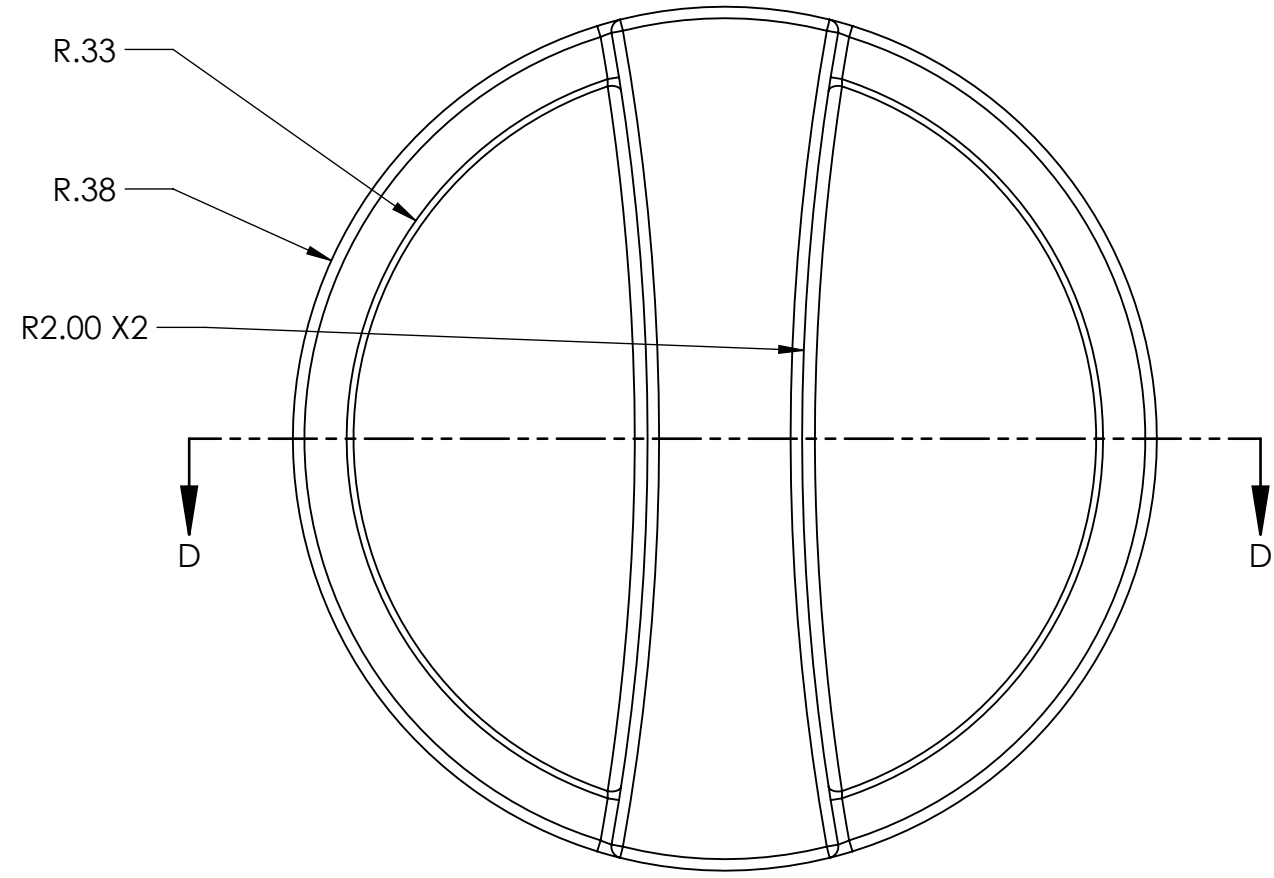
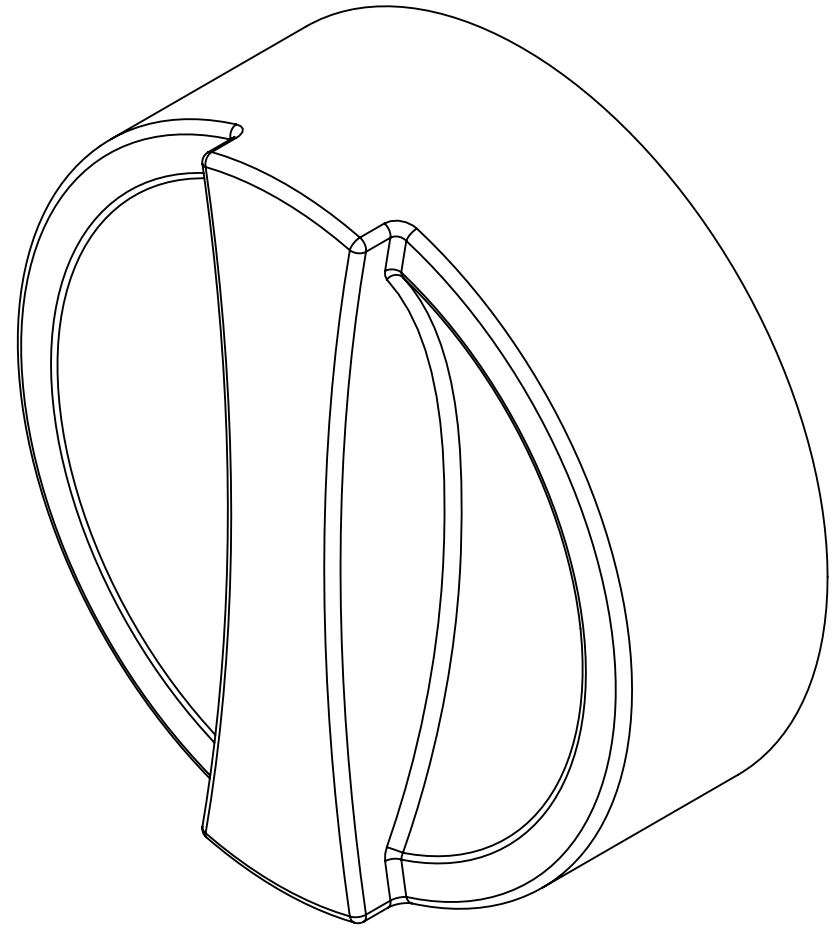
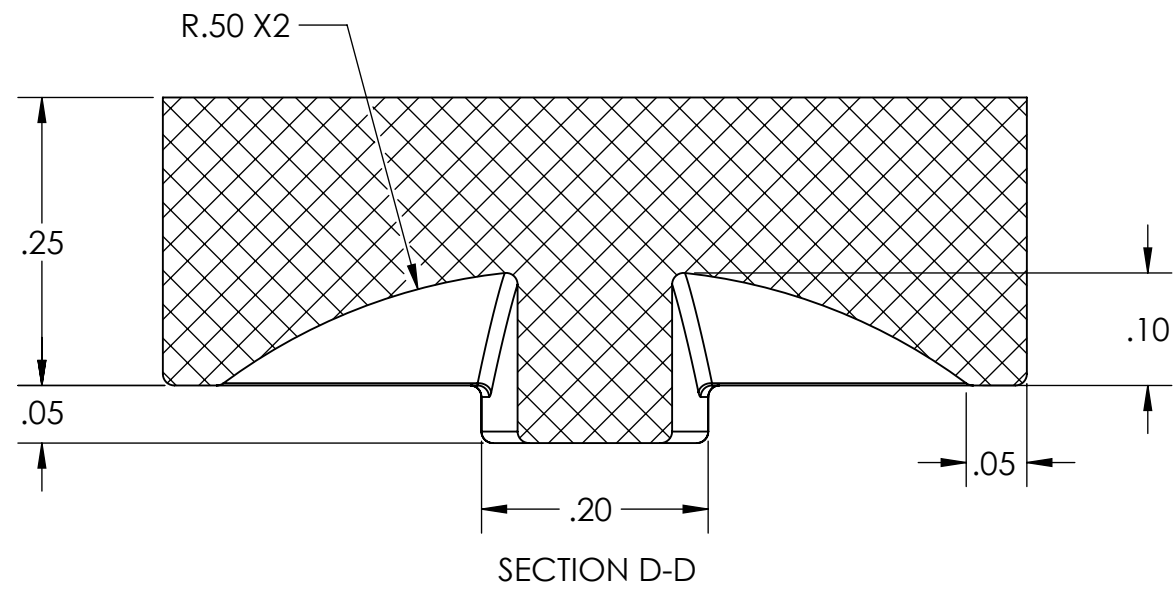
1

4

3

2

1



- NOTES:
- FILLETS: .01

PROPRIETARY AND CONFIDENTIAL  
 THE INFORMATION CONTAINED IN THIS DRAWING IS THE SOLE PROPERTY OF PCC. ANY REPRODUCTION IN PART OR AS A WHOLE WITHOUT THE WRITTEN PERMISSION OF PCC IS PROHIBITED.

UNLESS OTHERWISE SPECIFIED:		NAME	DATE	PORTLAND COMMUNITY COLLEGE	
DIMENSIONS ARE IN INCHES		DRAWN	E HEWETT	7/28/22	TITLE: <b>PLB-CRANK</b>
TOLERANCES:		CHECKED			
FRACTIONAL: ± 1/32		ENG APPR.			
ANGULAR: ± 2°		MFG APPR.			
TWO PLACE DECIMAL ± .01		Q.A.			SIZE DWG. NO. REV <b>B A-1001</b>
THREE PLACE DECIMAL ± .005		COMMENTS:			
MATERIAL		ABS		SCALE: 6:1	WEIGHT:
FINISH		BLACK SOFT TOUCH		SHEET 7 OF 9	
DO NOT SCALE DRAWING					

3

2

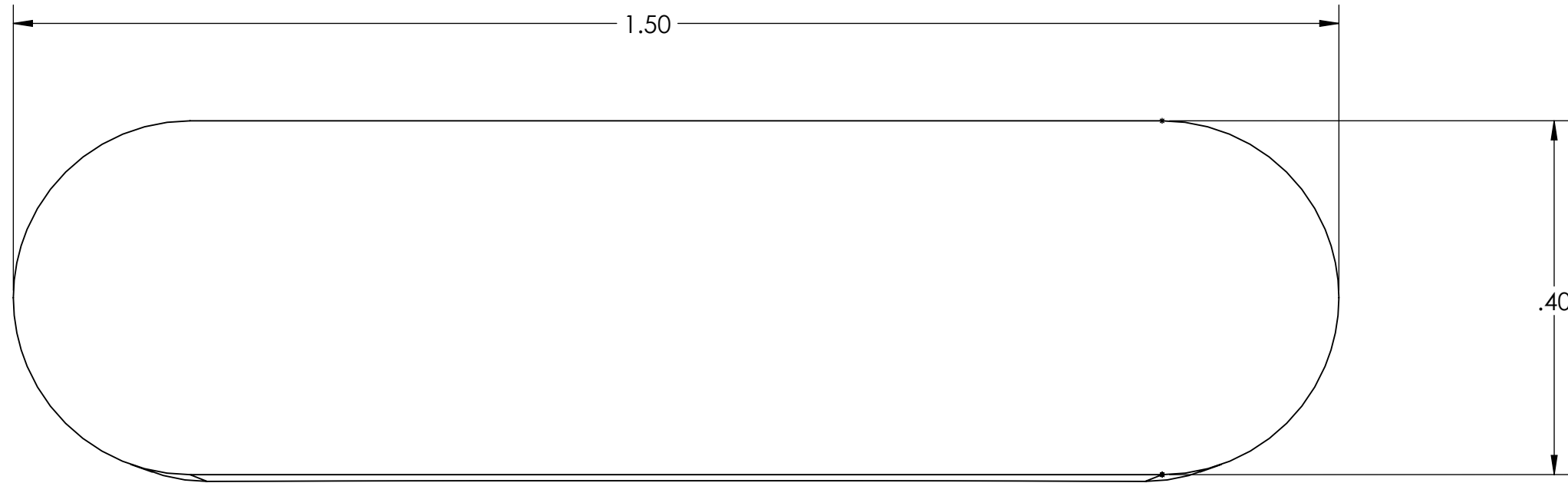
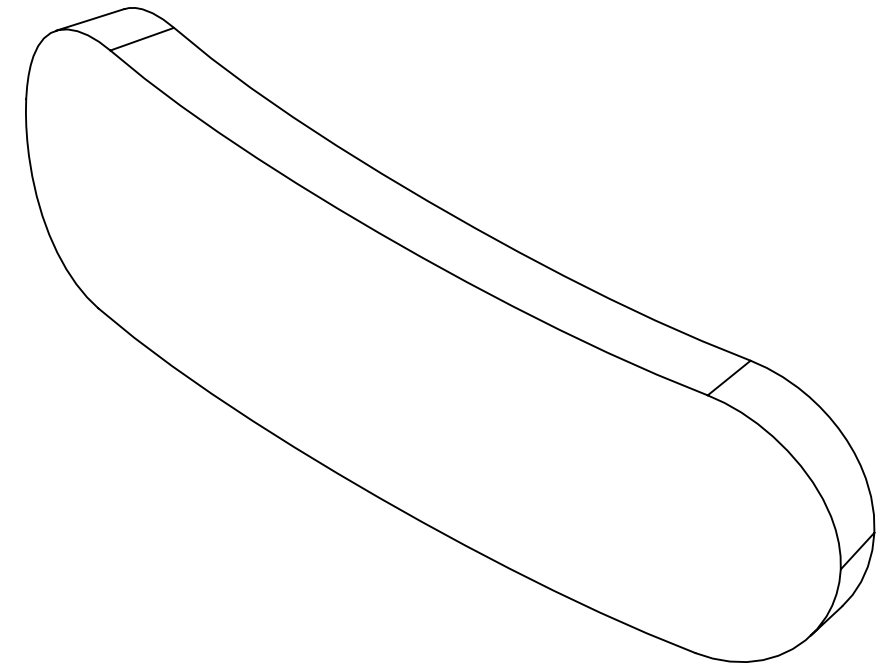
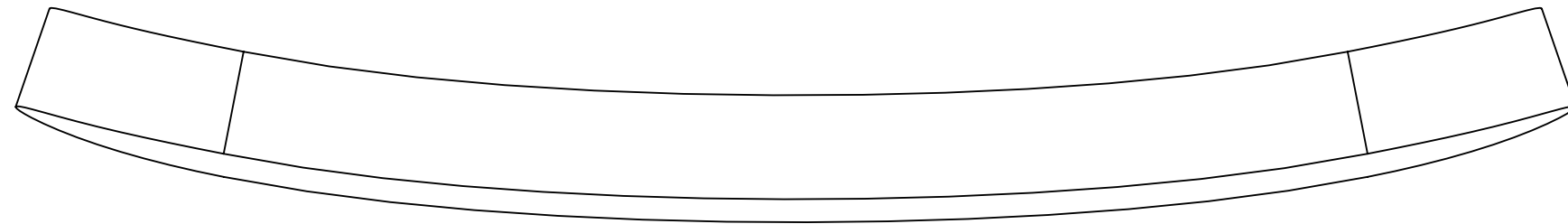
1

4

3

2

1



B

B

A

A

NOTES:

- FOR ALL OTHER DIMENSIONS SEE DATASET PLB-LIGHT SCREEN.STP
- WALL THICKNESS .1" UNLESS NOTED

UNLESS OTHERWISE SPECIFIED:		NAME	DATE	PORTLAND COMMUNITY COLLEGE	
DIMENSIONS ARE IN INCHES		DRAWN	E HEWETT	7/28/22	TITLE: <b>PLB-LIGHT SCREEN</b>
TOLERANCES:		CHECKED			
FRACTIONAL: ± 1/32		ENG APPR.			
ANGULAR: ± 2°		MFG APPR.			
TWO PLACE DECIMAL ± .01		Q.A.			SIZE DWG. NO. REV <b>B A-1001</b>
THREE PLACE DECIMAL ± .005		COMMENTS:			
INTERPRET GEOMETRIC TOLERANCING PER: ASME Y14.5				SCALE: 6:1	WEIGHT:
MATERIAL		ABS		SHEET 8 OF 9	
FINISH		CLEAR FROSTED			
DO NOT SCALE DRAWING					

PROPRIETARY AND CONFIDENTIAL  
 THE INFORMATION CONTAINED IN THIS DRAWING IS THE SOLE PROPERTY OF PCC. ANY REPRODUCTION IN PART OR AS A WHOLE WITHOUT THE WRITTEN PERMISSION OF PCC IS PROHIBITED.

4

3

2

1



4

3

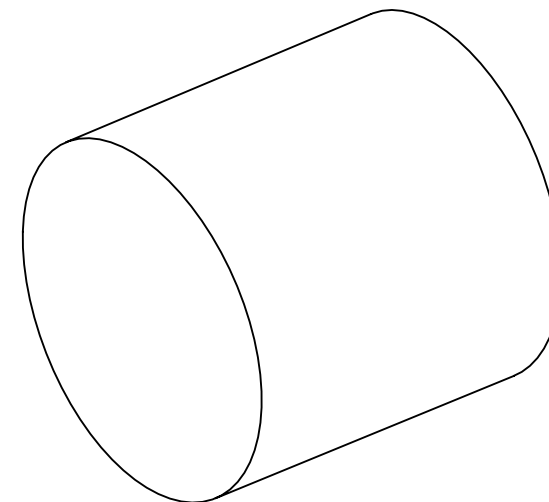
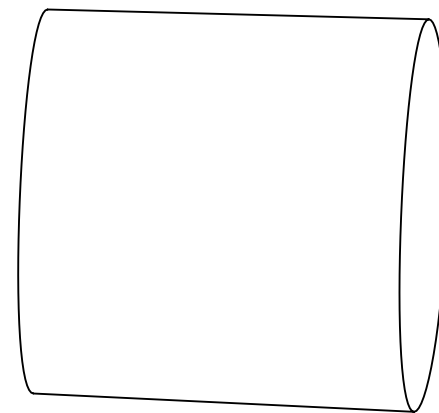
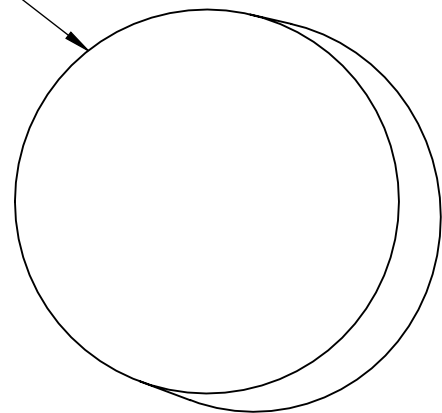
2

1

B

B

∅.10



A

A

NOTES:

- FOR ALL OTHER DIMENSIONS SEE DATASET PLB-SIGNAL LIGHT.STP
- THICKNESS: .1 IN

UNLESS OTHERWISE SPECIFIED:		NAME	DATE	PORTLAND COMMUNITY COLLEGE	
DIMENSIONS ARE IN INCHES TOLERANCES: FRACTIONAL: ± 1/32 ANGULAR: ± 2° TWO PLACE DECIMAL ± .01 THREE PLACE DECIMAL ± .005		DRAWN	E HEWETT	7/28/22	TITLE: <b>PLB-SIGNAL LIGHT</b>
		CHECKED			
		ENG APPR.			
		MFG APPR.			
PROPRIETARY AND CONFIDENTIAL THE INFORMATION CONTAINED IN THIS DRAWING IS THE SOLE PROPERTY OF PCC. ANY REPRODUCTION IN PART OR AS A WHOLE WITHOUT THE WRITTEN PERMISSION OF PCC IS PROHIBITED.		INTERPRET GEOMETRIC TOLERANCING PER: ASME Y14.5	Q.A.		
		MATERIAL	COMMENTS:		
		FINISH			
		ABS	SIZE	DWG. NO.	REV
		RED SOFT TOUCH	<b>B</b>	<b>A-1001</b>	
		DO NOT SCALE DRAWING	SCALE: 20:1	WEIGHT:	SHEET 9 OF 9

3

2

1